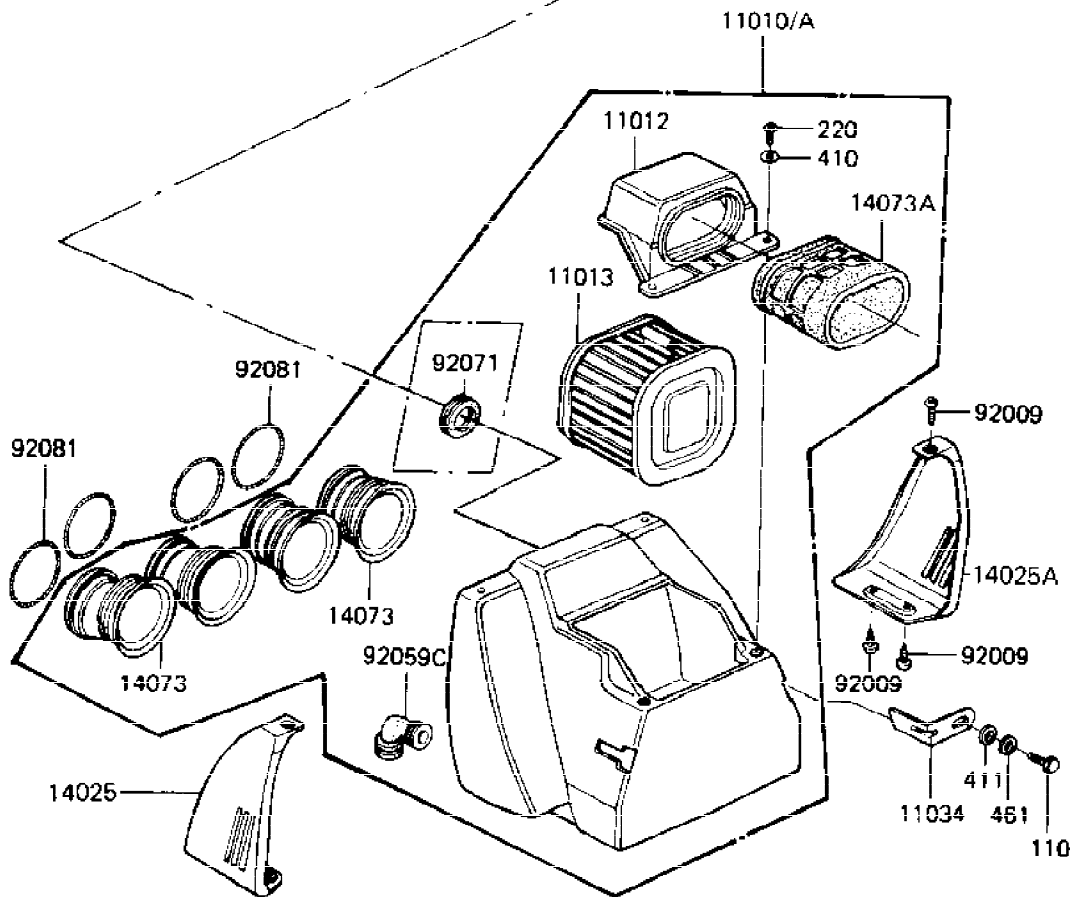
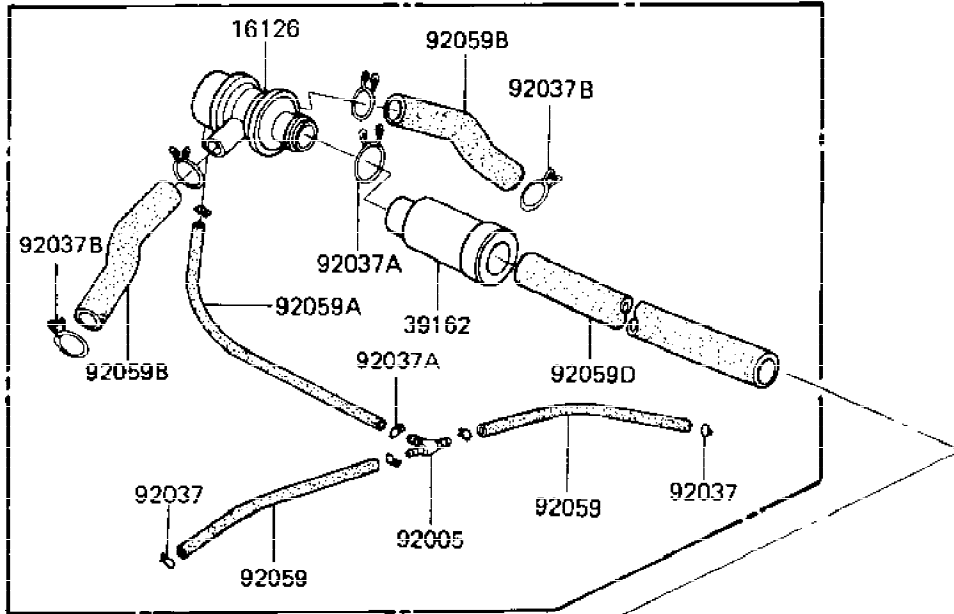


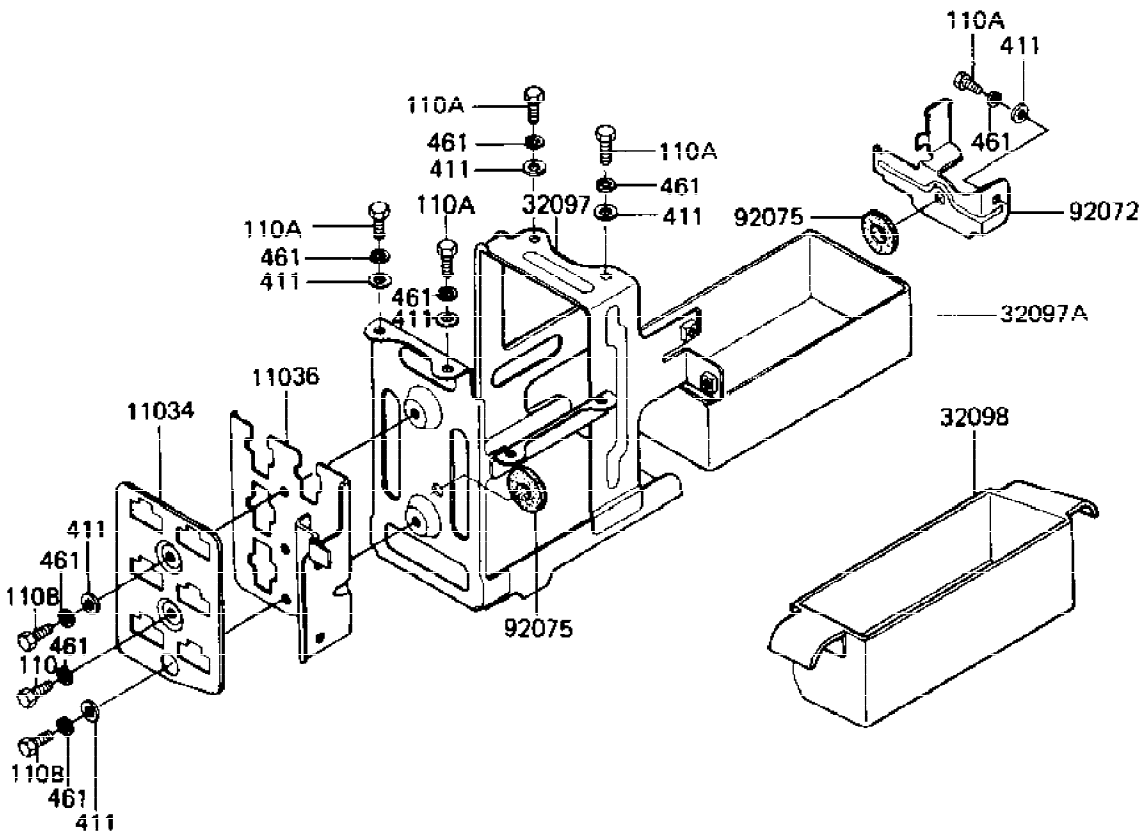


E1130-0124



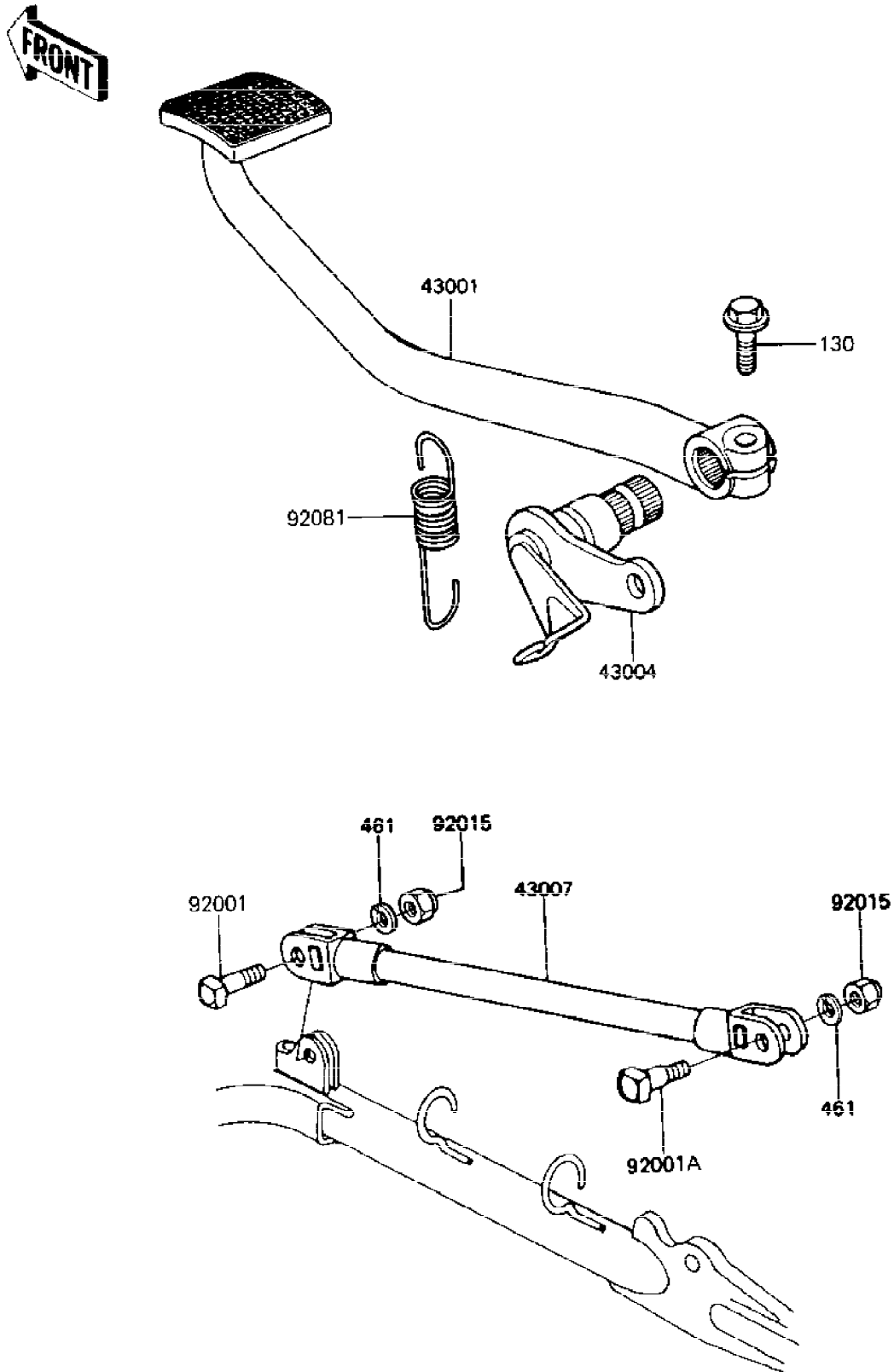
Ref #	Part Number	Qty	Description
11010	11010-1112	1	FILTER-ASSY-AIR (Canada) CN
11010A	11010-1142	1	FILTER-ASSY-AIR US
11012	11012-1167	1	CAP,AIR FILTER US
11013	11013-1037	1	ELEMENT,AIR CLNR
11034	32070-038	2	BRACKET,AIR CLEANER
14025	14025-1539	1	COVER,AIR FILTER,LH,B
14025A	14025-1540	1	COVER,AIR FILTER,RH,B
14073	14073-1048	4	DUCT,AIR FILTER,OUTLE
14073A	14073-1049	1	DUCT,AIR FILTER,INTAK
16126	16126-1014	1	VALVE ASSY,AIR SWITCH US
39162	39162-1003	1	SILENCER US
92005	92005-1017	1	FITTING,TUBE US
92009	92009-1138	6	SCREW,TAPPING,5X12,BL US
92037	92037-072	6	CLAMP-PIPE US
92037A	92037-1076	1	CLAMP US
92037B	92037-213	4	CLAMP,BREATHER TUBE US
92059	92059-1162	2	TUBE,VACUUM,LONG US
92059A	92059-1162	1	TUBE,VACUUM,LONG US
92059B	92059-1155	2	TUBE,14X20X89 US
92059C	92059-1156	1	TUBE,AIR FILTER US
92059D	92059-1161	1	TUBE,14X20X320 US
92071	92071-1042	1	GROMMET,AIR FILTER US
92081	92081-1457	4	SPRING,COIL,BLACK
1110	112G0612	2	BOLT-UPSET,6X12
220	220B0612	2	SCREW PAN HEAD 6X12
410	410B0600	2	WASHER PLAIN 6MM
411	411B0600	2	WASHER PLAIN 6MM
461	461F0600	2	WASHER SPRING 6MM

F2132-0007



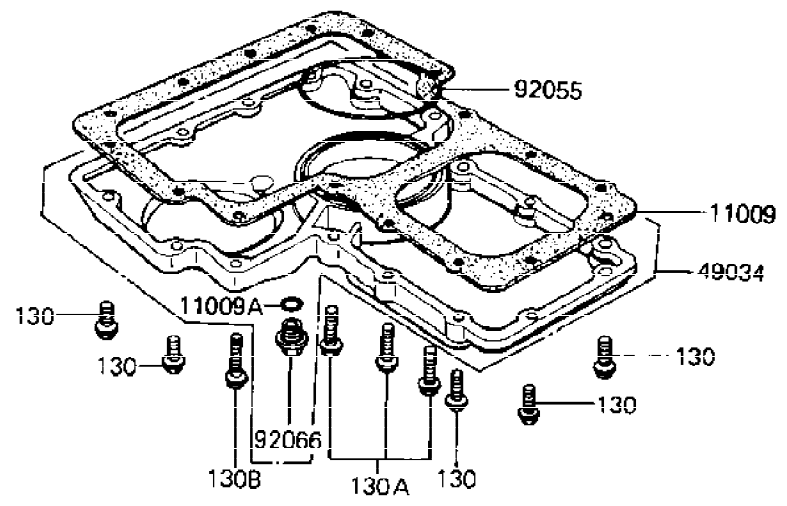
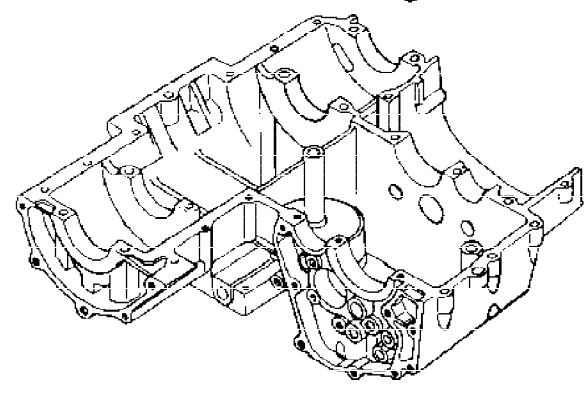
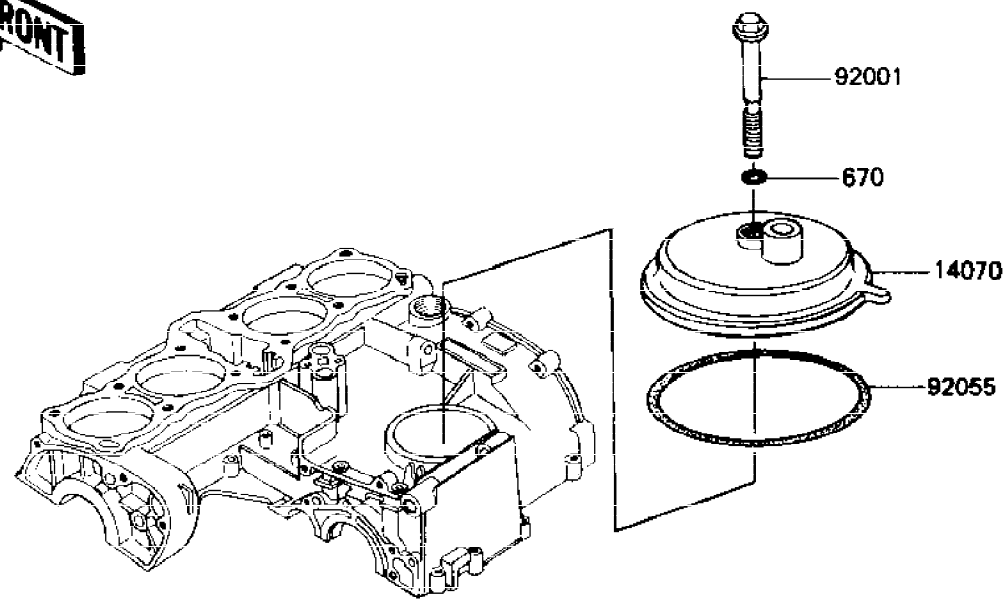
Ref #	Part Number	Qty	Description
11034	11034-1918	1	BRACKET
11036	11036-1783	1	BRACKET-A,COUPLER
32097	32097-1033	1	CASE-BATTERY
32097A	32097-1034	1	CASE-BATTERY
32098	32098-1014	1	CASE-TOOL
92072	92072-1213	1	BAND,BATTERY CASE
92075	92075-078	2	DAMPER RUBBER
1110	112G0610	1	BOLT,6X10
1110A	112B0614	5	BOLT-UPSET 6X14
1110B	112B0622	2	BOLT 6X22
411	411B0600	7	WASHER PLAIN 6MM
461	461F0600	8	WASHER SPRING 6MM

F2260-0089



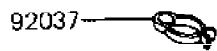
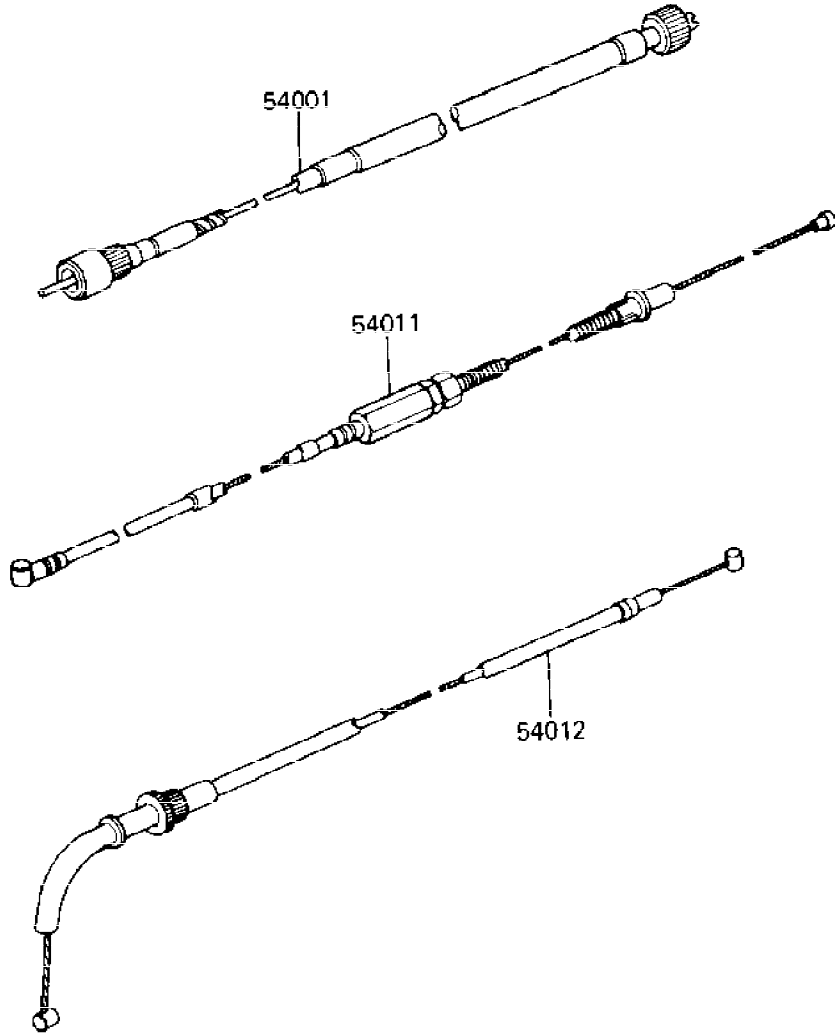
Ref #	Part Number	Qty	Description
43001	43001-1071	1	LEVER-BRAKE,PEDAL
43004	43004-1026	1	SHAFT-BRAKE
43007	43007-1015	1	TORQUE ROD,REAR BRAKE
92001	92001-1208	1	BOLT,TORQUE ROD FRONT
92001A	92001-1646	1	BOLT,10X37
92015	92015-1189	2	NUT,LOCK,10MM,BLACK
92081	92081-1296	1	SPRING
130	130J0825	1	BOLT-FLANGED,8X25,BLA
461	461K1000	2	WASHER-SPRING,10MM

E1432-0010



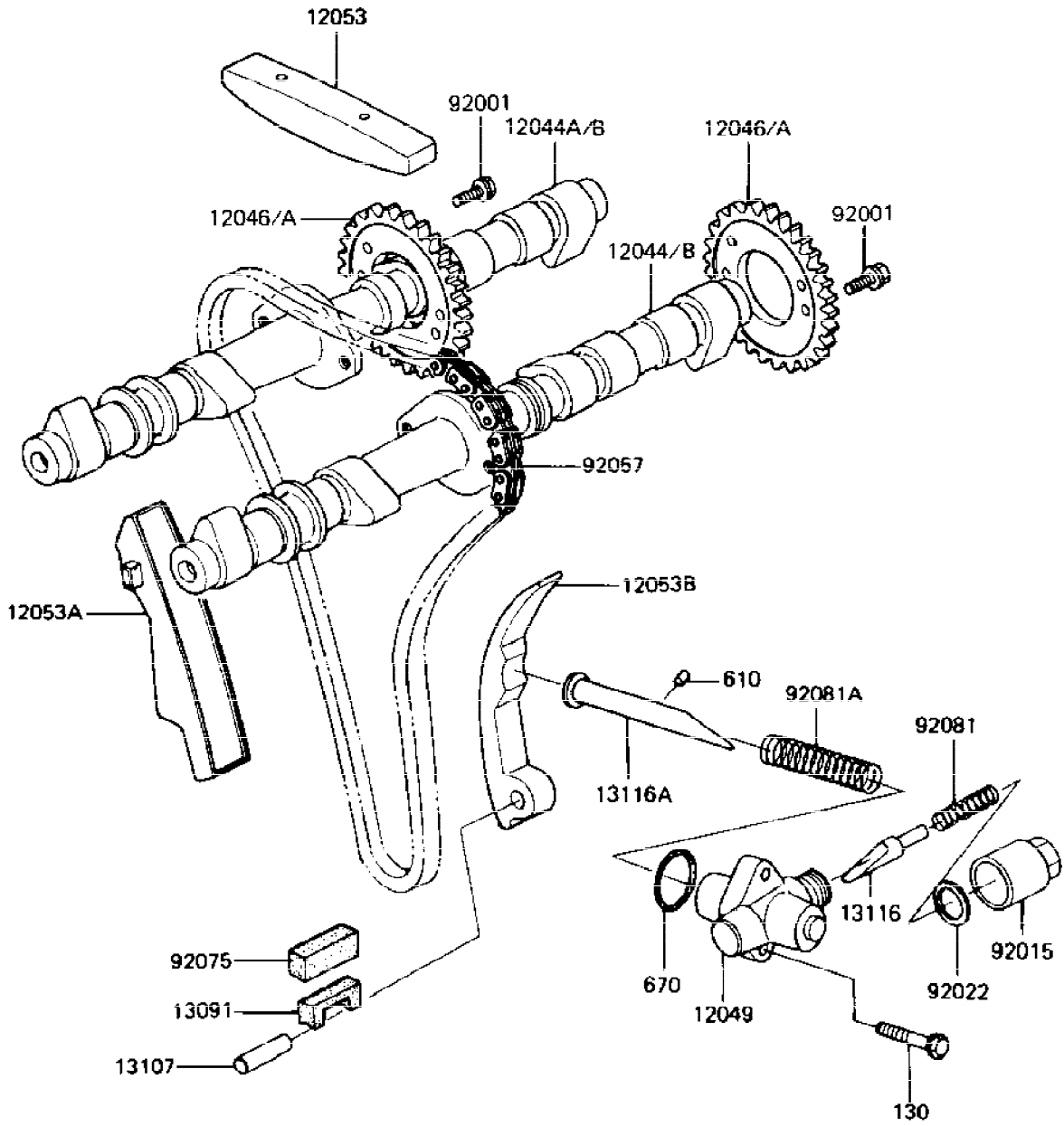
Ref #	Part Number	Qty	Description
11009	11060-1074	1	GASKET,OIL PAN
11009A	92065-097	1	GASKET,DRIN PLUG
14070	14070-1010	1	BODY-BREATHER,BLACK
49034	49034-5014	1	PAN-OIL
92001	92001-1526	1	BOLT,8X72,BLACK
92055	92055-052	2	"O" RING,91MM
92066	92066-1174	1	PLUG,OIL DRAIN,12X15
130	130G0625	13	BOLT,FLANGED,6X25
130A	130H0635	3	BOLT,FLANGED,6X35
130B	130G0645	1	BOLT,FLANGED,6X45
670	670B1508	1	"O" RING,8MM

F2540-0179



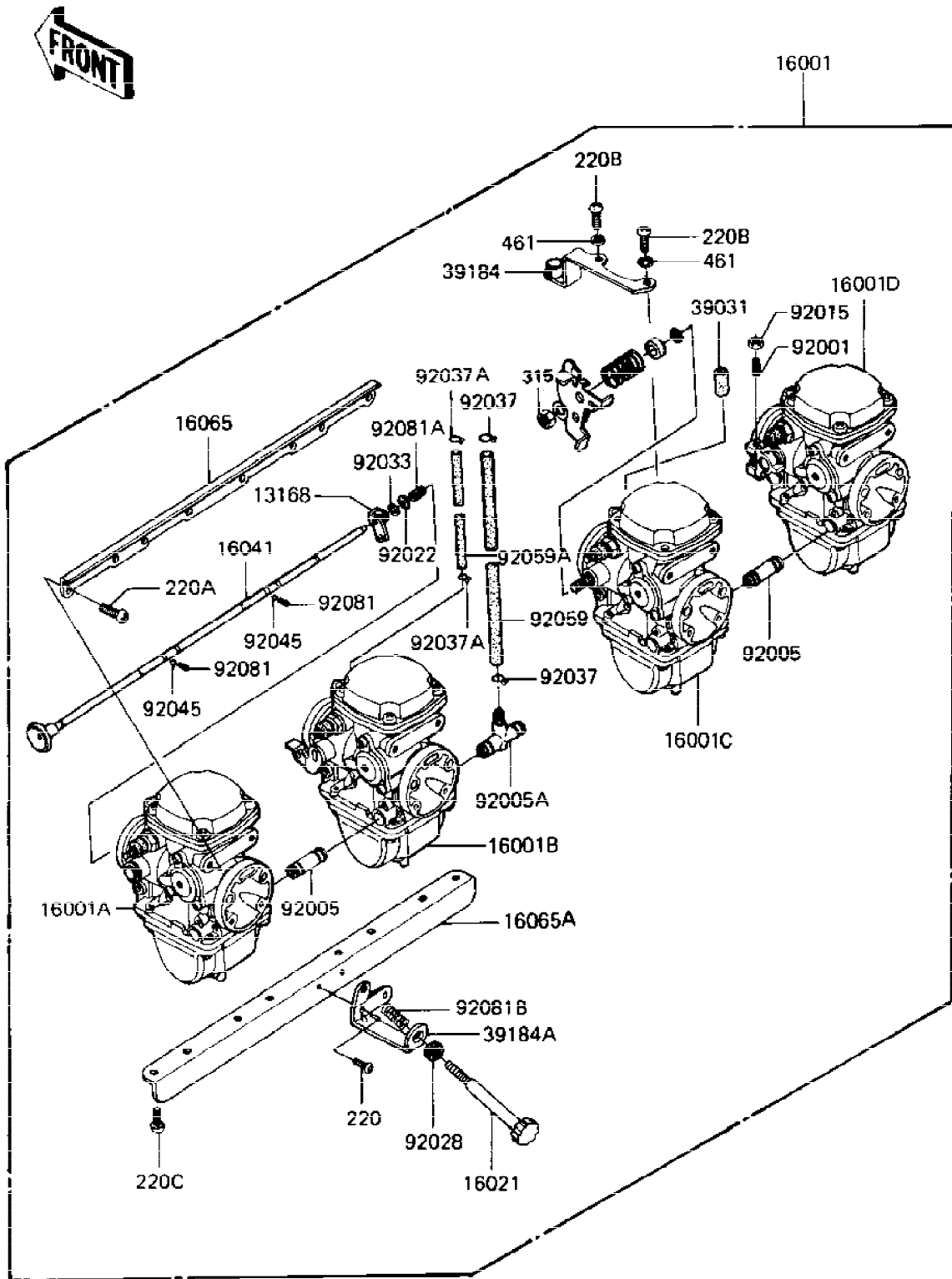
Ref #	Part Number	Qty	Description
54001	54001-1014	1	CABLE,SPEEDOMETER
54011	54011-1101	1	CABLE-CLUTCH
54012	54012-1111	1	CABLE-THROTTLE
92037	92037-093	1	CLAMP,CABLE

E1230-0023



Ref #	Part Number	Qty	Description
12044	12044-1031	1	CAMSHAFT-VALVE,INLET
12044A	12044-1036	1	CAMSHAFT-VALVE,EXHAUS
12044B	12044-1037	2	CAMSHAFT-VALVE
12046	12046-1025	2	SPROCKET,CAMSHAFT EXH
12046A	12046-1033	2	SPROCKET,CAMSHAFT,42T
12049	12049-1009	1	TENSIONER,CAM CHAIN
12053	12053-1018	1	GUIDE,CAM CHAIN,HEAD
12053A	12053-1048	1	GUIDE-CHAIN,CAM,FR
12053B	12053-1049	1	GUIDE-CHAIN,CAM,RR
13091	13091-1084	1	HOLDER,CAM CHAIN GUID
13107	13107-1020	1	SHAFT,8X28
13116	13116-1012	1	ROD,PUSH,CAM CHAIN
13116A	13116-1038	1	ROD-PUSH,TENSIONER
92001	92003-208	4	BOLT,SPROCKET FITTING
92015	92015-1100	1	CAP,TENSIONER,18M/M
92022	92022-1175	1	WASHER,18.3X24X1.4T
92057	92057-1052	1	CHAIN,CAMSHAFT,75-010
92075	92075-1270	1	DAMPER
92081	92081-1302	1	SPRING,TENSIONER
92081A	92081-1380	1	SPRING,TENSIONER
130	130G0625	2	BOLT,FLANGED,6X25
610	610A0408	1	PIN DOWEL 4X8
670	670E2022	1	"O" RING,22M/M

E1611-0084

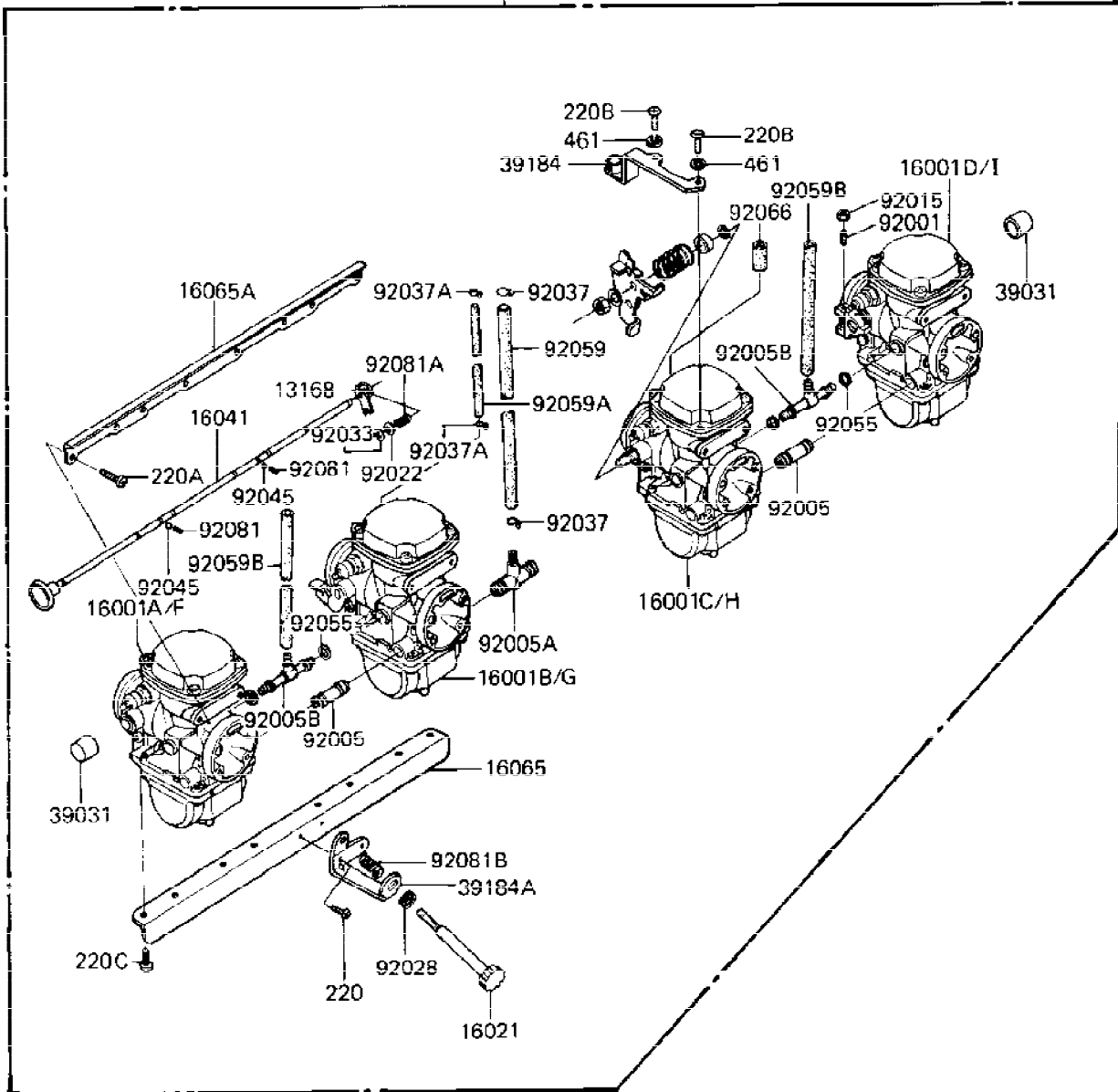


Ref #	Part Number	Qty	Description
13168	13168-1091	4	LEVER,CHOCK
16001	16001-1587	1	CARBURETOR
16001A	16001-1588	1	CARBURETOR,LH,OUTSIDE
16001B	16001-1589	1	CARBURETOR,LH,INSIDE
16001C	16001-1590	1	CARBURETOR,RH,INSIDE
16001D	16001-1591	1	CARBURETOR,RH,OUTSIDE
16021	16021-1035	1	SCREW-THROTTLE STOP
16041	16041-1024	1	SHAFT-CARBURETOR,CHOC
16065	16065-1044	1	HOLDER-CARBURETOR,UPP
16065A	16065-1065	1	HOLDER-CARBURETOR,LWR
39031	39031-1009	1	CAP-END
39184	39184-1006	1	BRACKET-ASSY,THROTTLE
39184A	39184-1007	1	BRACKET-ASSY,IDLING A
92001	92001-1447	3	BOLT,ADJUSTING
92005	92005-1035	2	FITTING,FUEL
92005A	92005-1036	1	FITTING,FUEL
92015	92015-1119	3	NUT,THROTTLE VLV ADST
92022	92022-1255	4	WASHER,SPRING
92028	92028-1071	1	BUSHING
92033	92033-1066	4	RING-SNAP,E
92037	92037-1184	2	CLAMP,HOSE
92037A	92037-174	2	CLAMP,BREATHER HOSE
92045	600A0400	2	BALL,STEEL,1/8"
92059	92059-1187	1	TUBE,7.5X12.5X250
92059A	92059-1188	1	TUBE,5X9X150
92081	92081-1260	2	SPRING,FAST IDLE SHFT
92081A	92081-1364	4	SPRING,CHOCK SHAFT
92081B	92081-1377	1	SPRING,IDLING ADJUST
220	220B0508	1	SCREW PAN HEAD 5X8
220A	220C0510	8	SCREW-PAN-CROS
220B	220C0518A	2	SCREW-PAN-CROS,5X18,B
220C	220C0614	8	SCREW-PAN-CROS, 6X14
315	315G0800	1	NUT,8 M/M
461	461K0500	2	WASHER-SPRING,5MM,BLA

E1611-0129

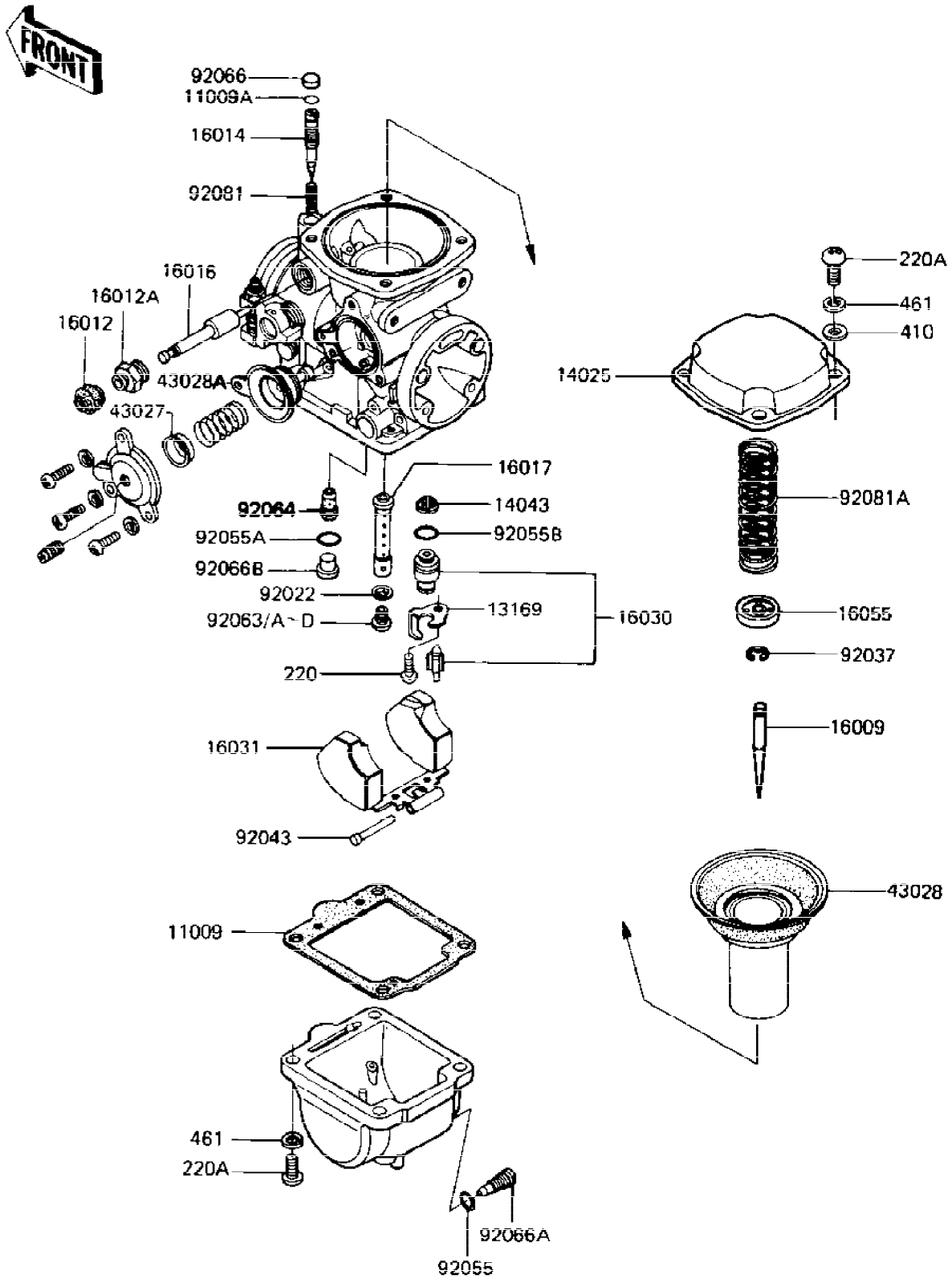


16001/E



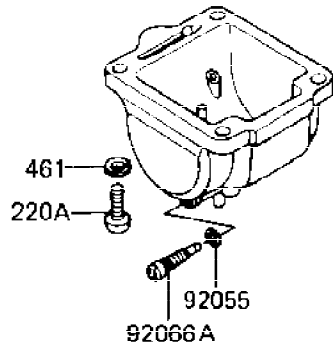
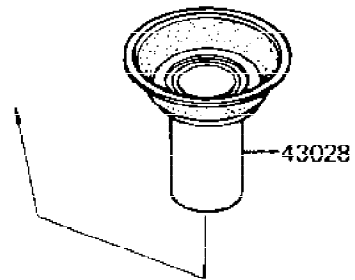
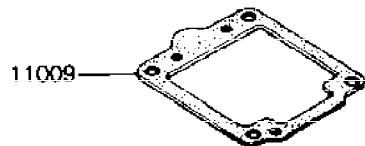
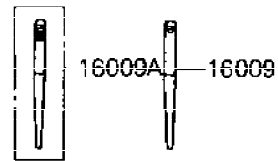
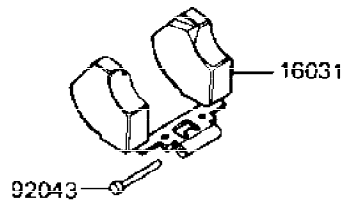
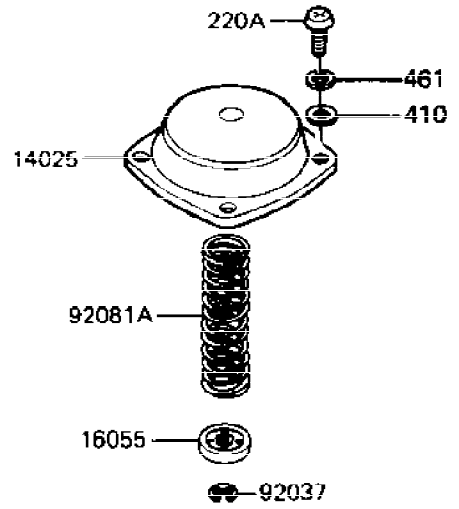
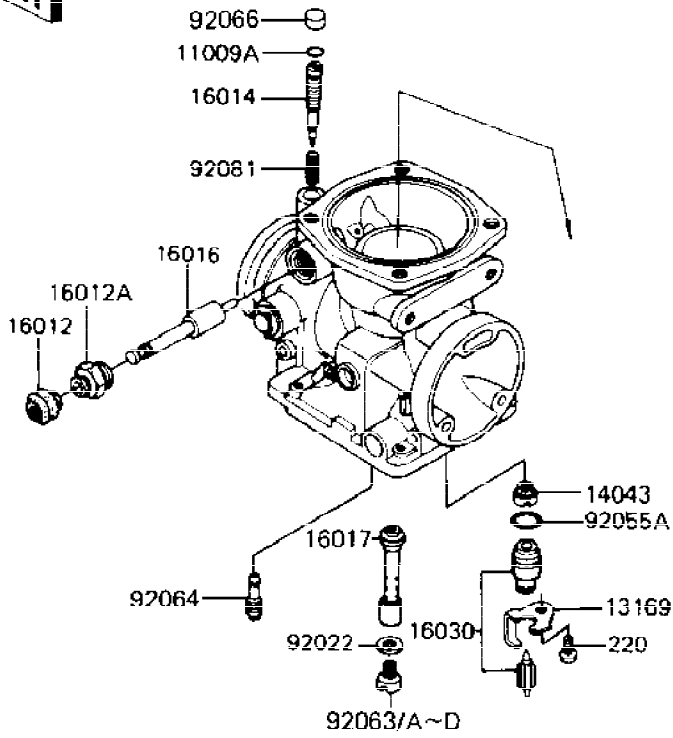
Ref #	Part Number	Qty	Description
13168	13168-1091	4	LEVER,CHOCK
16001	16001-1890	1	CARBURETOR US
16001A	16001-1891	1	CARBURETOR,LH,OUTSIDE US
16001B	16001-1892	1	CARBURETOR,LH,INSIDE
16001C	16001-1893	1	CARBURETOR,RH,INSIDE US
16001D	16001-1894	1	CARBURETOR,RH,OUTSIDE US
16001E	16001-1895	1	CARBURETOR (Canada) CN
16001F	16001-1896	1	CARBURETOR,LH,OUTSIDE (Canada) CN
16001G	16001-1897	1	CARBURETOR,LH,INSIDE (Canada) CN
16001H	16001-1898	1	CARBURETOR,RH,INSIDE (Canada) CN
16001I	16001-1899	1	CARBURETOR,RH,OUTSIDE (Canada) CN
16021	16021-1035	1	SCREW-THROTTLE STOP
16041	16041-1024	1	SHAFT-CARBURETOR,CHOC
16065	16065-1043	1	HOLDER-CARBURETOR,LWR
16065A	16065-1044	1	HOLDER-CARBURETOR,UPP
39031	39031-1007	2	CAP-END,CARBURETOR
39184	39184-1006	1	BRACKET-ASSY,THROTTLE
39184A	39184-1007	1	BRACKET-ASSY,IDLING A
92001	92001-1447	3	BOLT,ADJUSTING
92005	92005-1035	2	FITTING,FUEL
92005A	92005-1036	1	FITTING,FUEL
92005B	92005-1045	2	FITTING,AIR VENT
92015	92015-1119	3	NUT,THROTTLE VLV ADST
92022	92022-1255	4	WASHER,SPRING
92028	92028-1071	1	BUSHING
92033	92033-1066	4	RING-SNAP,E
92037	92037-1184	2	CLAMP,HOSE
92037A	92037-174	2	CLAMP,BREATHER HOSE
92045	600A0400	2	BALL,STEEL,1/8"
92055	92055-510	4	"0" RING
92059	92059-1187	1	TUBE,7.5X12.5X250
92059A	92059-1188	1	TUBE,5X9X150
92059B	92059-1222	2	TUBE,6.5X9.5X400
92066	92068-006	1	RUBBER PLUG US
92066	92068-006	3	RUBBER PLUG US
92081	92081-1260	2	SPRING,FAST IDLE SHFT
92081A	92081-1364	4	SPRING,CHOCK SHAFT
92081B	92081-1377	1	SPRING,IDLING ADJUST
220	220B0508	1	SCREW PAN HEAD 5X8
220A	220C0510	8	SCREW-PAN-CROS
220B	220C0518A	2	SCREW-PAN-CROS,5X18,B
220C	220C0614	8	SCREW-PAN-CROS, 6X14
461	461K0500	2	WASHER-SPRING,5MM,BLA

E1612-0079



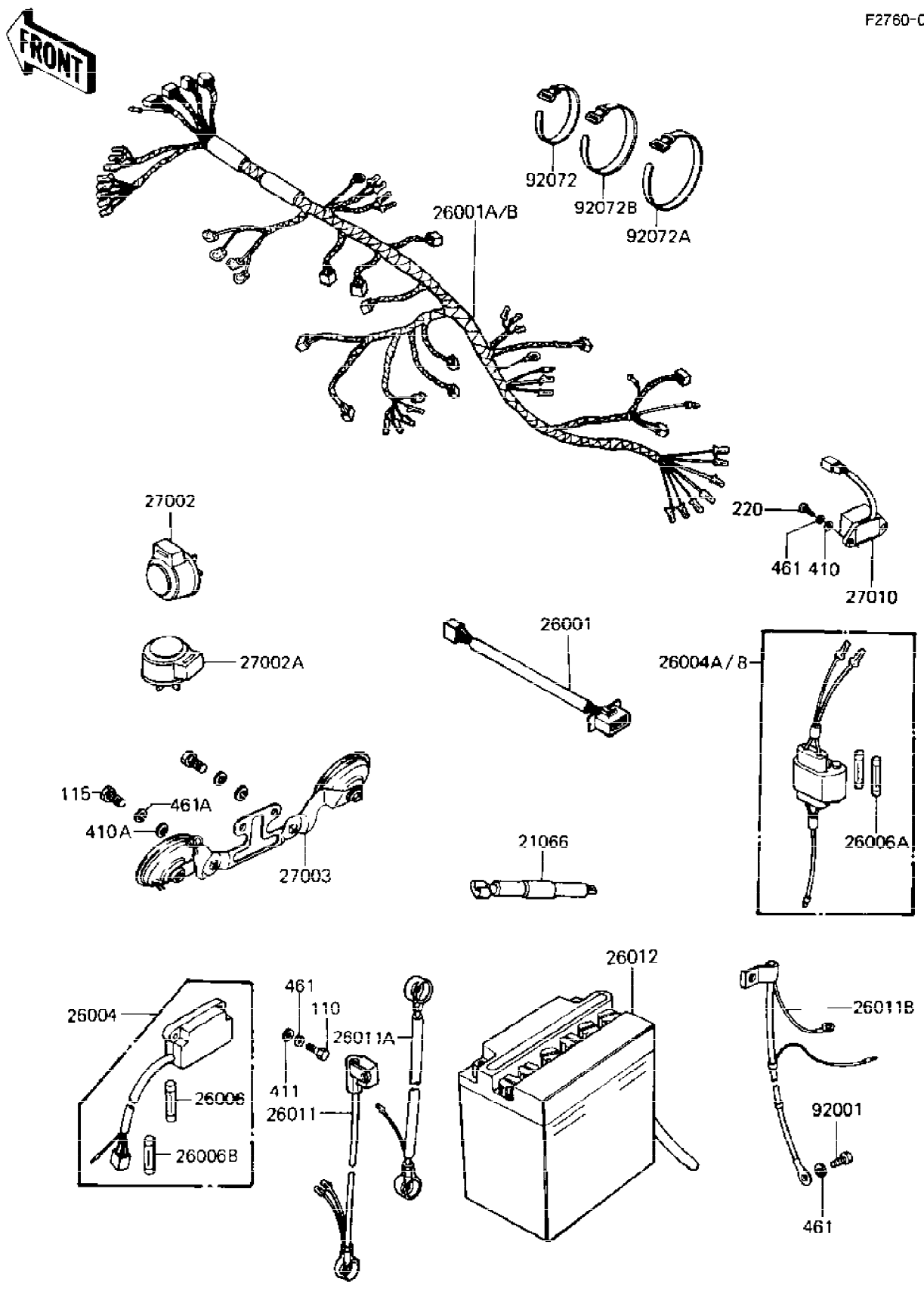
Ref #	Part Number	Qty	Description
11009	11009-1241	4	GASKET,FLOAT CHAMBER
11009A	16038-022	4	"O" RING
13169	13169-1482	4	PLATE
14025	14025-1527	4	TOP-CHAMBER,MIXING
14043	14043-1010	4	FILTER,FLOAT VALVE
16009	16009-1083	4	NEEDLE-JET
16012	16012-1010	4	CAP-STARTER PLUNGER
16012A	16012-1011	4	CAP-STARTER PLUNGER
16014	16014-1014	4	SCREW-PILOT AIR
16016	16016-1019	4	PLUNGER
16017	16017-1084	4	JET-NEEDLE
16030	16030-1016	4	VALVE-FLOAT
16031	16031-1013	4	FLOAT
16055	16055-010	4	PLATE,NEEDLE
43027	43027-1004	4	RETAINER,DPHRGM SPRNG
43028	43028-1025	4	DIAPHRAGM,VALVE
43028A	43028-1026	4	DIAPHRAGM,COASTING RC
92022	16034-001	4	WASHER MAIN JET
92037	16008-014	4	CIRCLIP
92043	16032-008	4	PIN,FLOAT
92055	92055-044	4	"O" RING
92055A	92055-1059	4	"O" RING,CHECK VALVE
92055B	92055-1105	4	"O" RING
92063	92063-1100	4	JET-MAIN,#A127.5
92063A	92063-1101	4	JET-MAIN,#A122.5 (RACING USE ONLY)
92063B	92063-1102	4	JET-MAIN,#A125 (RACING USE ONLY)
92063C	92063-1103	4	JET-MAIN,#A130 (RACING USE ONLY)
92063D	92063-1104	4	JET-MAIN,#A132.5 (RACING USE ONLY)
92064	92064-1036	4	JET-PILOT,#A37.5
92066	92066-1051	4	PLUG,PILOT SCREW
92066A	92066-1064	4	SCREW,DRAIN
92066B	92066-1087	4	PLUG,PILOT JET
92081	16022-016	4	SPRING,PILOT SCREW
92081A	92081-1363	4	SPRING,DPHRGM VALVE
220	220B0406	4	SCREW PAN HEAD 4X6
220A	220C0516	30	SCREW-PAN-CROS
410	410F0500	14	WASHER PLAIN
461	461K0500	30	WASHER-SPRING,5MM,BLA

E1612-0080



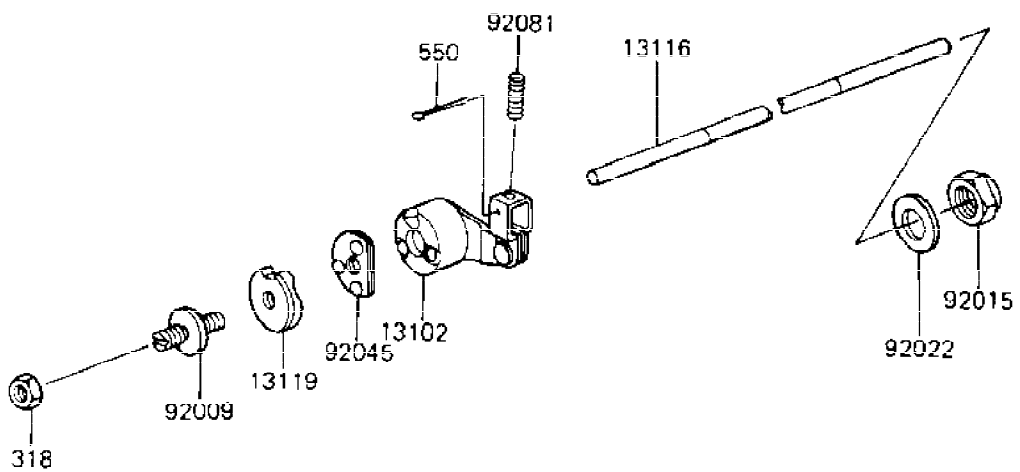
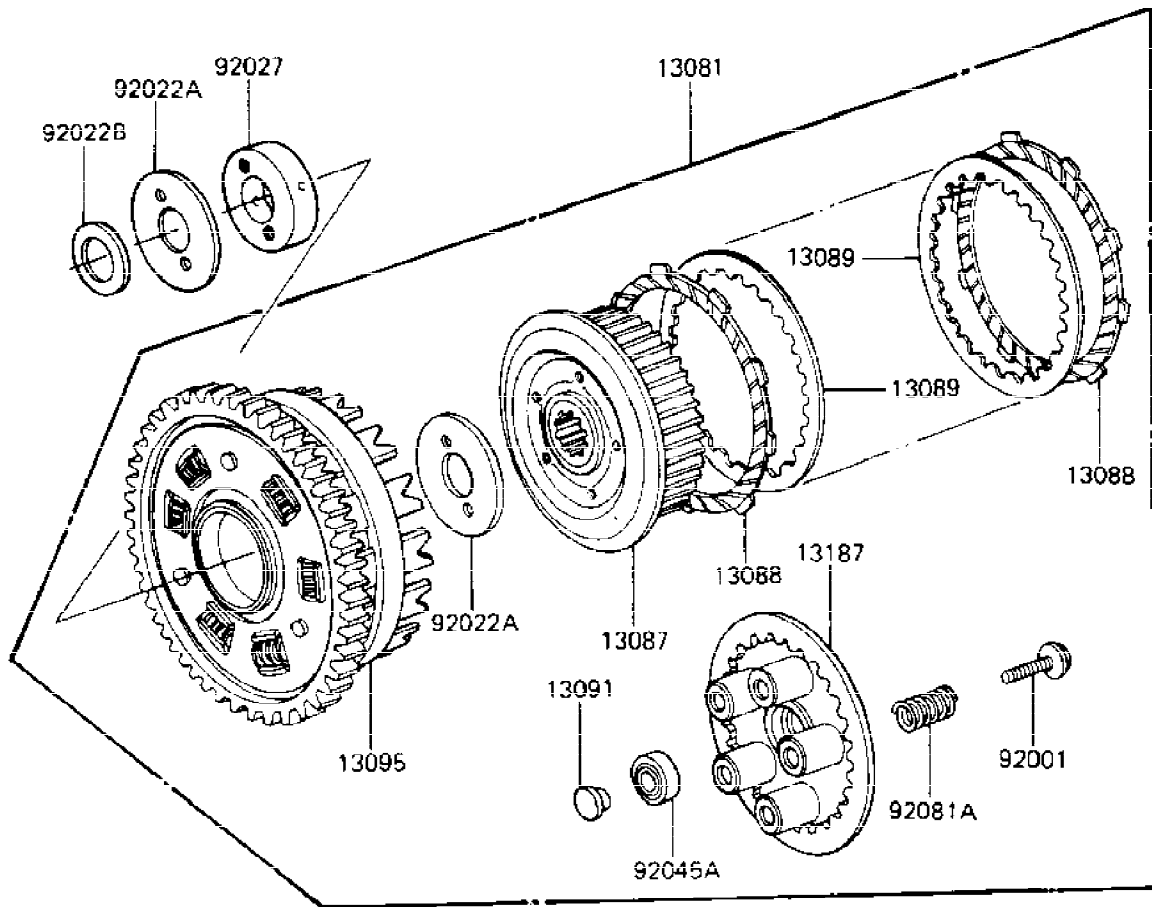
Ref #	Part Number	Qty	Description
11009	11009-1241	4	GASKET,FLOAT CHAMBER
11009A	16038-022	4	"O" RING
13169	13169-1482	4	PLATE
14025	14025-1603	4	COVER,MIXING CHAMBER
14043	14043-1010	4	FILTER,FLOAT VALVE
16009	16009-1100	4	NEEDLE-JET-5C50 US
16009A	16009-1101	4	NEEDLE-JET,5C48 (Canada) CN
16012	16012-1010	4	CAP-STARTER PLUNGER
16012A	16012-1011	4	CAP-STARTER PLUNGER
16014	16014-1014	4	SCREW-PILOT AIR
16016	16016-1019	4	PLUNGER
16017	16017-1136	4	JET-NEEDLE,Y-4
16030	16030-1016	4	VALVE-FLOAT
16031	16031-1013	4	FLOAT
16055	16055-010	4	PLATE,NEEDLE
43028	43028-1034	4	DIAPHRAGM,VALVE
92022	16034-001	4	WASHER MAIN JET
92037	16008-014	4	CIRCLIP
92043	16032-008	4	PIN,FLOAT
92055	92055-044	4	"O" RING
92055A	92055-1105	4	"O" RING
92063	1100	4	RT- RED 7 1/2
92063A	92063-1101	4	JET-MAIN,#A122.5 (RACING USE ONLY)
92063B	92063-1102	4	JET-MAIN,#A125 (RACING USE ONLY)
92063C	92063-1103	4	JET-MAIN,#A130 (RACING USE ONLY)
92063D	92063-1104	4	JET-MAIN,#A132.5 (RACING USE ONLY)
92064	92064-1036	4	JET-PILOT,#A37.5
92066	92066-1051	4	PLUG,PILOT SCREW US
92066A	92066-1064	4	SCREW,DRAIN
92081	16022-016	4	SPRING,PILOT SCREW
92081A	92081-1363	4	SPRING,DPHRGM VALVE
220	220B0406	4	SCREW PAN HEAD 4X6
220A	220C0516	30	SCREW-PAN-CROS
410	410F0500	14	WASHER PLAIN
461	461K0500	30	WASHER-SPRING,5MM,BLA

F2760-0252



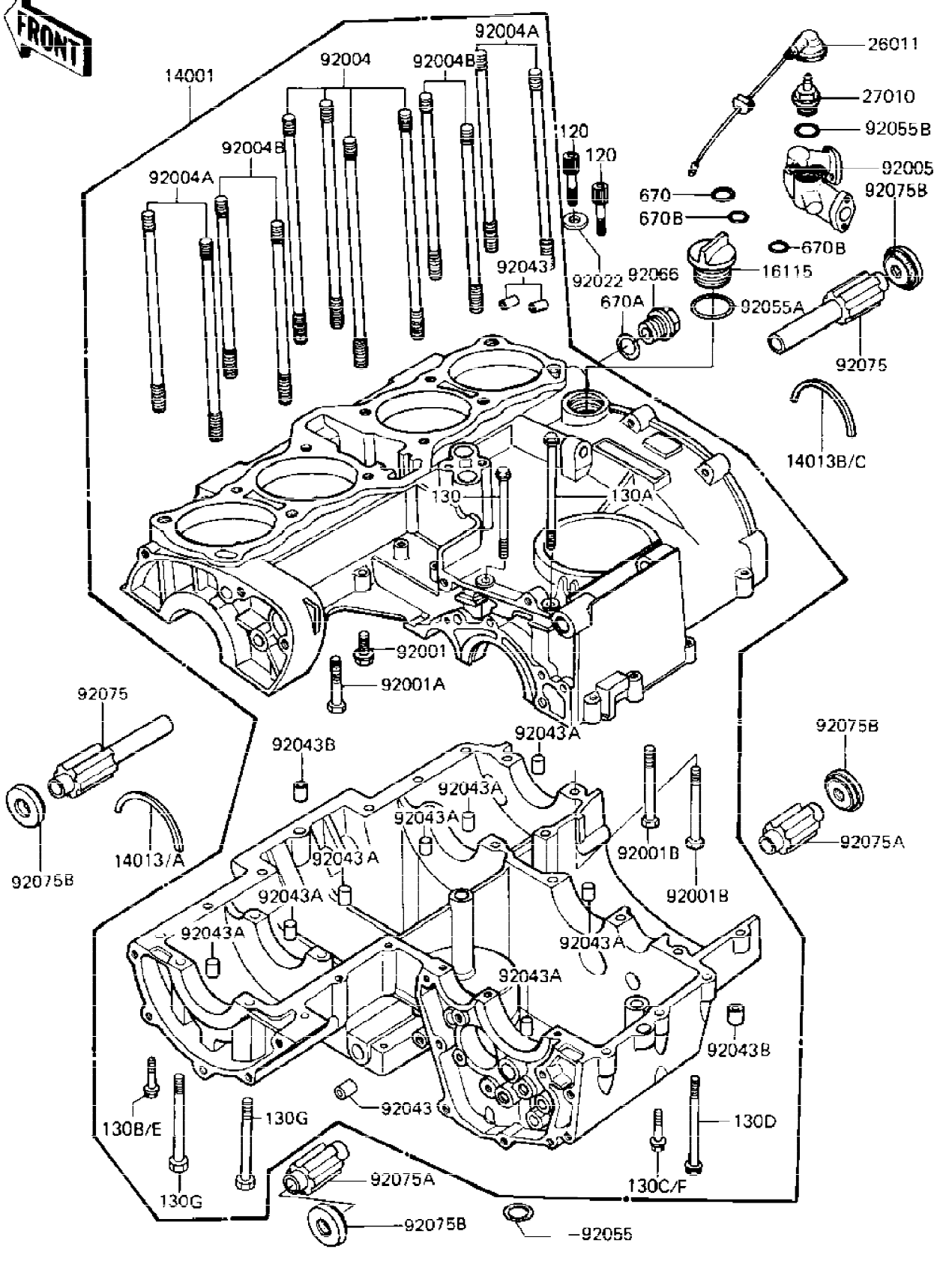
Ref #	Part Number	Qty	Description
21066	21066-026	1	REGULATOR
26001	26001-1248	1	HARNESS,RESERVE LIGHT
26001A	26001-1390	1	HARNESS,MAIN
26001B	26001-1510	1	HARNESS,MAIN
26004	26004-1011	1	FUSE-ASSY
26004A	26004-1014	1	FUSE-ASSY,ACCESSORY
26004B	26004-1016	1	FUSE-ASSY,ACCESSORY
26006	26006-003	5	FUSE 10A
26006A	26006-1002	3	FUSE,10A,L=30M/M
26006B	26006-1005	2	FUSE,30A,L=25M/M
26011	26011-1118	1	WIRE-LEAD
26011A	26011-1120	1	WIRE-LEAD,BATTERY,(+)
26011B	26011-1124	1	WIRE-LEAD,BATTERY,(-)
26012	26012-1039	1	YUA BAT YB18L-A
27002	27002-011	1	RELAY-TURN SIGNAL
27002A	27002-016	1	RELAY,TURN SIGNAL
27003	27003-1143	1	HORN,DOUBLE
27010	27010-1024	1	SWITCH,RESERVE LIGHTI
92001	92001-137	1	BOLT,HEX HEAD,6MM
92072	92072-031	7	BAND,MIDDLE
92072A	92072-032	2	BAND,LONG
92072B	92072-056	2	BAND,WIRING HARNESS
1110	112B0622	2	BOLT 6X22
1115	115C0816	2	BOLT-SMALL,8X16,BLACK
220	220B0620	2	SCREW PAN HEAD 6X20
410	410B0600	2	WASHER PLAIN 6MM
410A	92022-1554	2	WASHER,PLAIN,8MM
411	411B0600	2	WASHER PLAIN 6MM
461	461F0600	5	WASHER SPRING 6MM
461A	461K0800	2	WASHER-SPRING,8MM,BLA

E1350-0047



Ref #	Part Number	Qty	Description
13081	13081-1057	1	CLUTCH-ASSY
13087	13087-1015	1	HUB-CLUTCH
13088	13088-1013	9	PLATE-FRICTION
13089	13089-1004	8	PLATE,CLUTCH,STEEL
13091	13091-1085	1	HOLDER
13095	13095-1037	1	HOUSING-COMP-CLUTCH
13102	13102-1012	1	RELEASE-COMP-CLUTCH
13116	13119-1003	1	CAM,RELEASE,CLUTCH
13119	13119-1003	1	CAM,RELEASE,CLUTCH
13187	13187-1006	1	PLATE-CLUTCH OPERATIN
92001	92001-1066	5	BOLT,CLUTCH SPR FITT
92009	92009-1009	1	SCREW,SLOTTED,8M/M
92015	92015-1555	1	NUT,20MM
92022	92022-1116	1	WASHER,PLAIN,2.3X20.3
92022A	92022-1221	2	WASHER,CLUTCH THRUST
92022B	92022-1223	1	WASHER
92027	92027-1284	1	COLLAR
92045	92045-1001	1	BEARING,BALL,CLUTCH
92045A	92045-1235	1	BEARING-BALL
92081	92081-069	1	SPRING-CLUTCH RELEASE
92081A	92081-1033	5	SPRING,CLUTCH
318	318B0800	1	NUT 8MM
550	550D1615	1	PIN COTTER 1.6X15

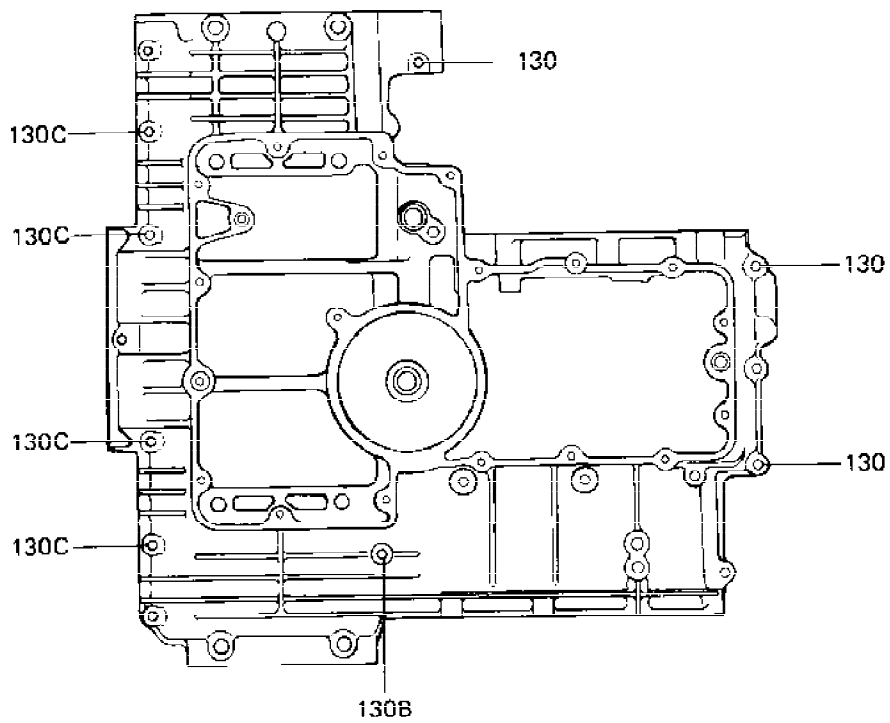
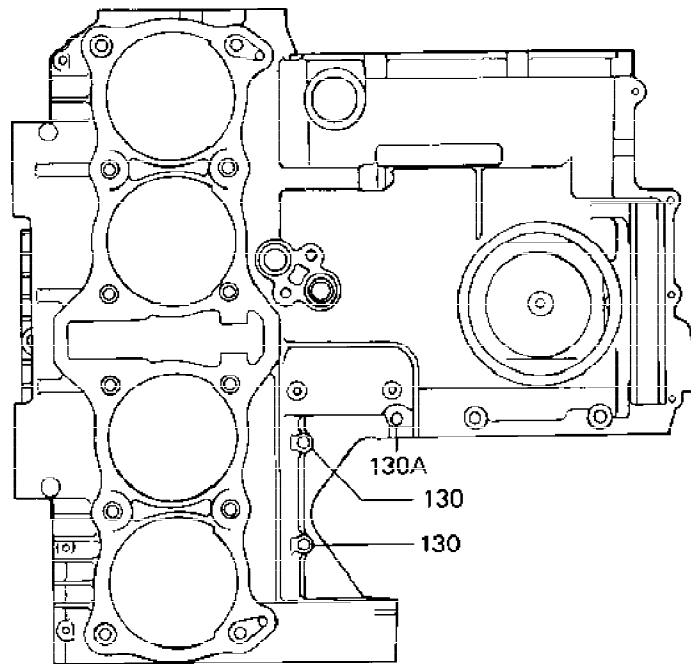
E1411-0063



Ref #	Part Number	Qty	Description
14001	14001-5112	1	SET-CRANKCASE,F.BLACK
14013	14013-013	1	RING-BEARING SET
14013A	14013-1004	1	RING,POSITION
14013B	14013-1005	1	RING-POSITION
14013C	14013-1006	1	RING-POSITION
16115	16115-1009	1	CAP-OIL FILLER
26011	26011-1129	1	WIRE-LEAD,OIL SWITCH
27010	27010-1013	1	SWITCH,OIL PRESSURE
92001	92001-1349	1	BOLT,FLANGED,8X16
92001A	92003-107	8	BOLT,HEX HEAD,8X72
92001B	92003-108	2	BOLT,HEX HEAD,8X81
92004	92004-1002	4	STUD,10X190
92004A	92004-1003	4	STUD,10X158
92004B	92004-1004	4	STUD,10X133
92005	92005-1055	1	FITTING,OIL COOLER
92022	92022-1086	1	WASHER
92043	92042-007	6	PIN-DOWEL
92043A	92042-016	10	PIN DOWEL 6MM
92043B	92043-1037	4	PIN,DOWEL,10X8.2X14
92055	92055-048	1	O RING,0.D=18MM
92055A	92055-049	1	"O" RING,31MM
92055B	92055-055	1	"O" RING
92066	92066-1098	1	PLUG,14X12,F.BLACK
92075	92075-1272	2	DAMPER
92075A	92075-1273	2	DAMPER
92075B	92075-1274	4	DAMPER
120	120P0840	2	BOLT-SOCKET,8X40
130	130G06100	1	BOLT-FLANGED,6X100
130A	130G06115	1	BOLT-FLANGED,6X115
130B	130G0640	1	BOLT,FLANGED,6X40
130C	130G0655	1	BOLT,FLANGED,6X55
130D	130G0695	3	BOLT-FLANGED,6X95
130E	130J0640	2	BOLT-FLANGED,6X40,BLA
130F	130J0655	1	BOLT-FLANGED,6X55,BLA
130G	130P0895	2	BOLT-FLANGED,8X95
670	670B1509	1	"O" RING,9MM
670A	670B2015	1	"O" RING,15MM
670B	670B2018	2	"O" RING,18MM

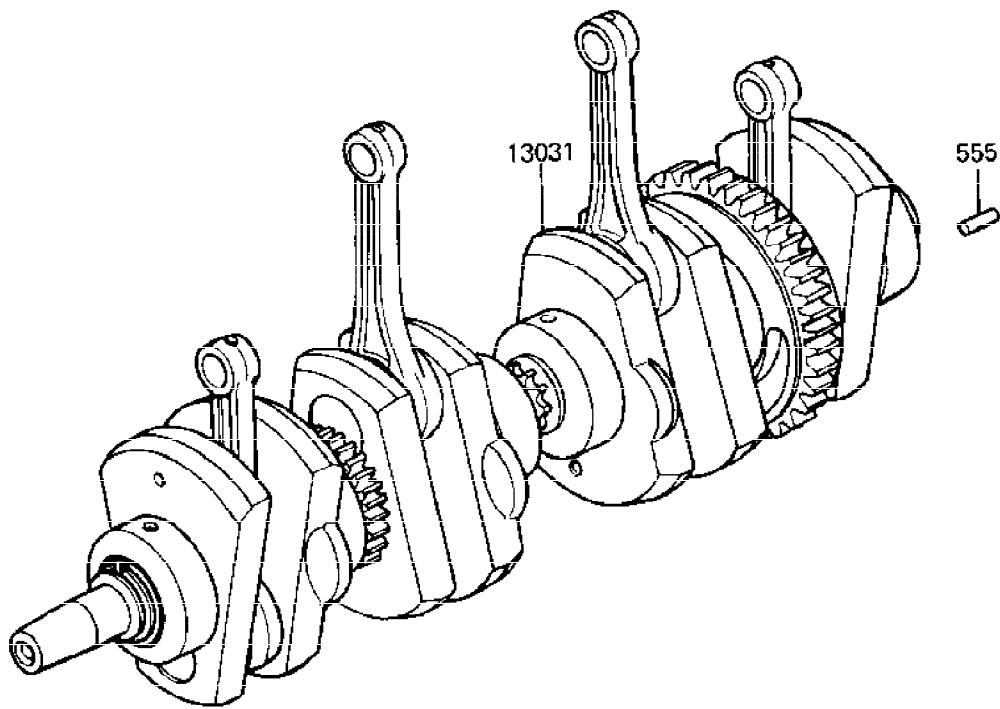
KZ1000-R1 (1982)
CRANKCASE BOLT & STUD PATTERN

E1412-0015



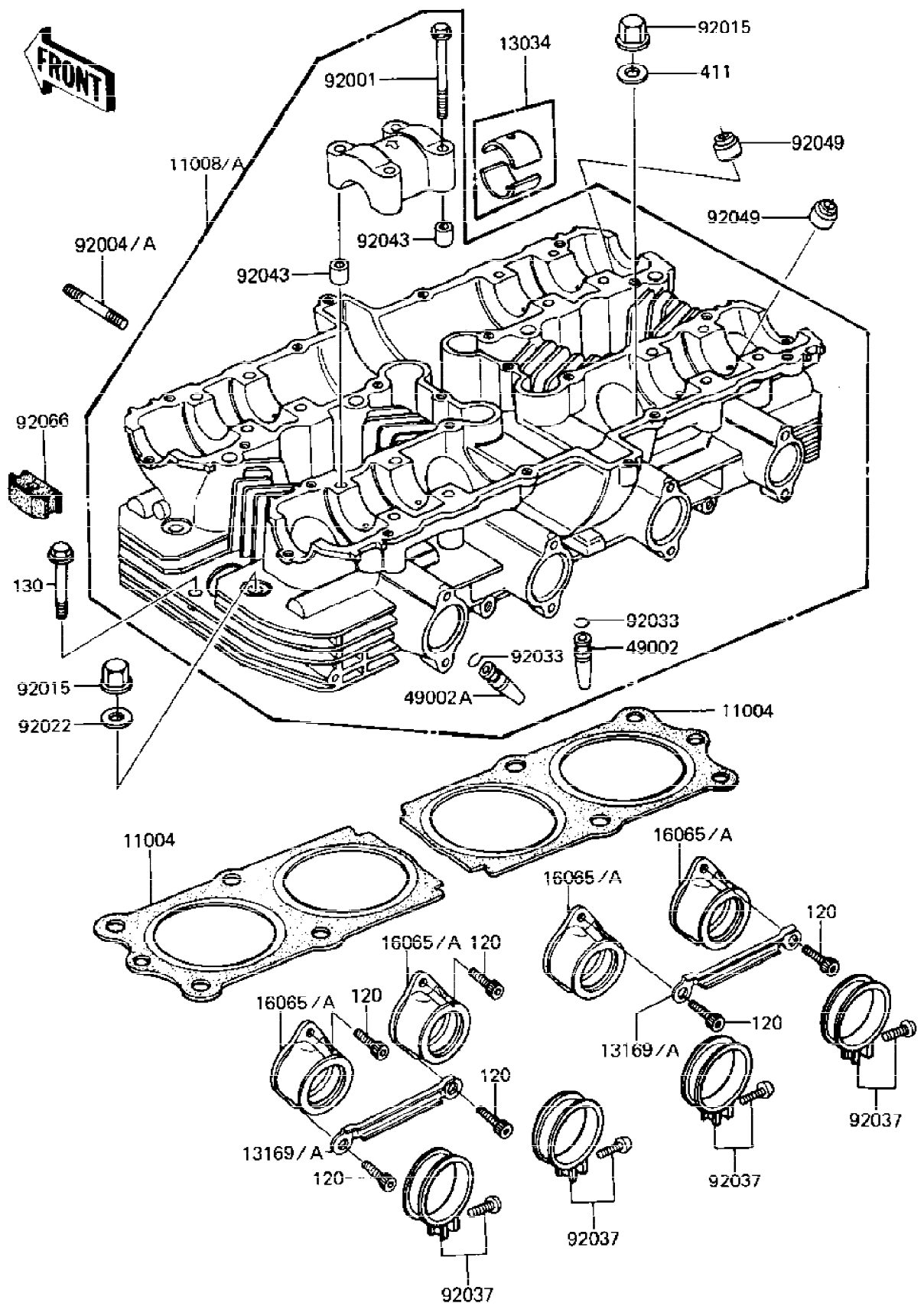
Ref #	Part Number	Qty	Description
130	130G0640	5	BOLT,FLANGED,6X40
130A	130G0650	1	BOLT-FLANGED,6X50
130B	130G0695	1	BOLT-FLANGED,6X95
130C	130J0640	4	BOLT-FLANGED,6X40,BLA

E1321-0058



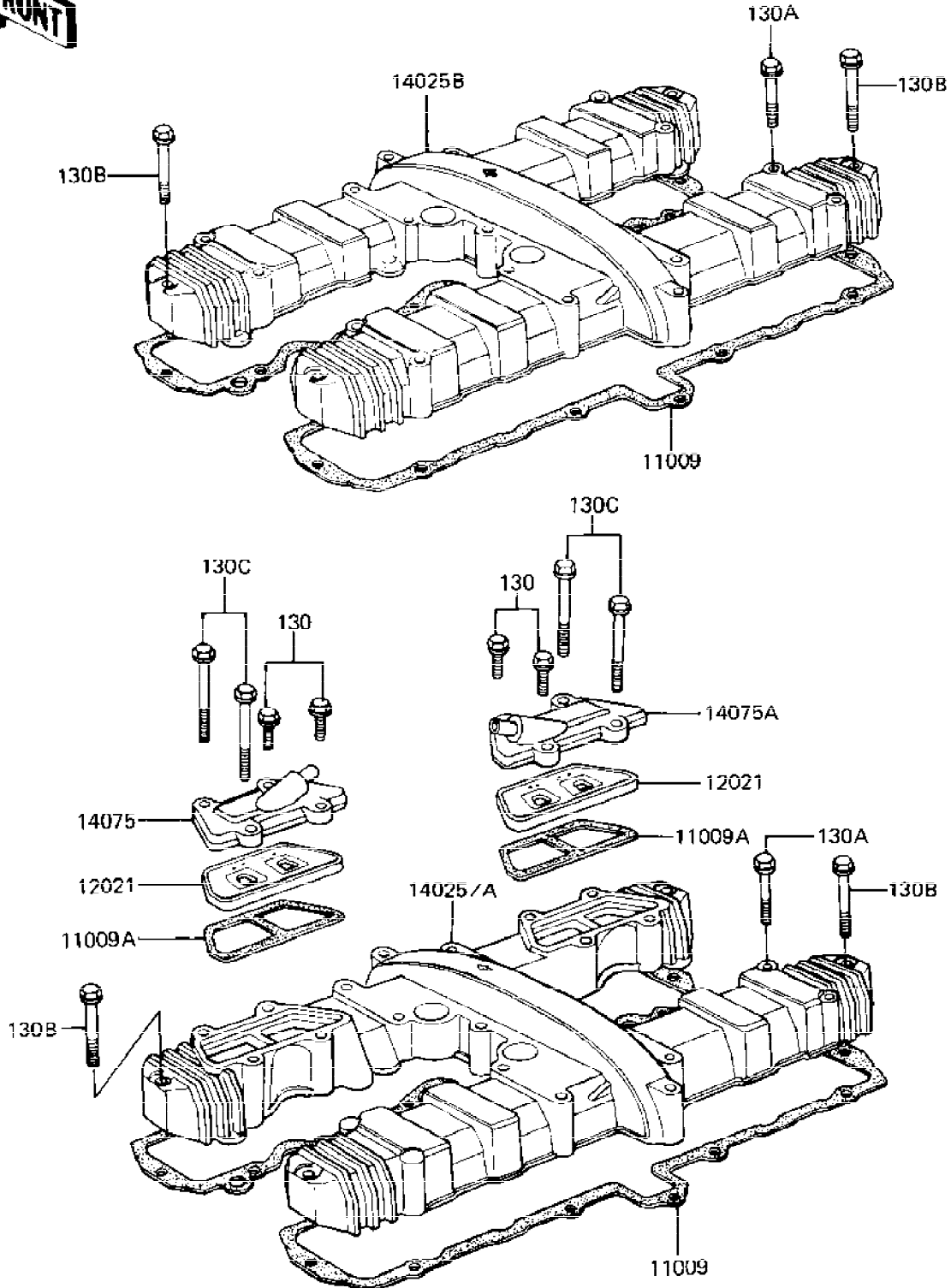
Ref #	Part Number	Qty	Description
13031	13031-1046	1	CRANKSHAFT-COMP
555	555A0408	1	PIN-SPRING,4X8

E1111-0127



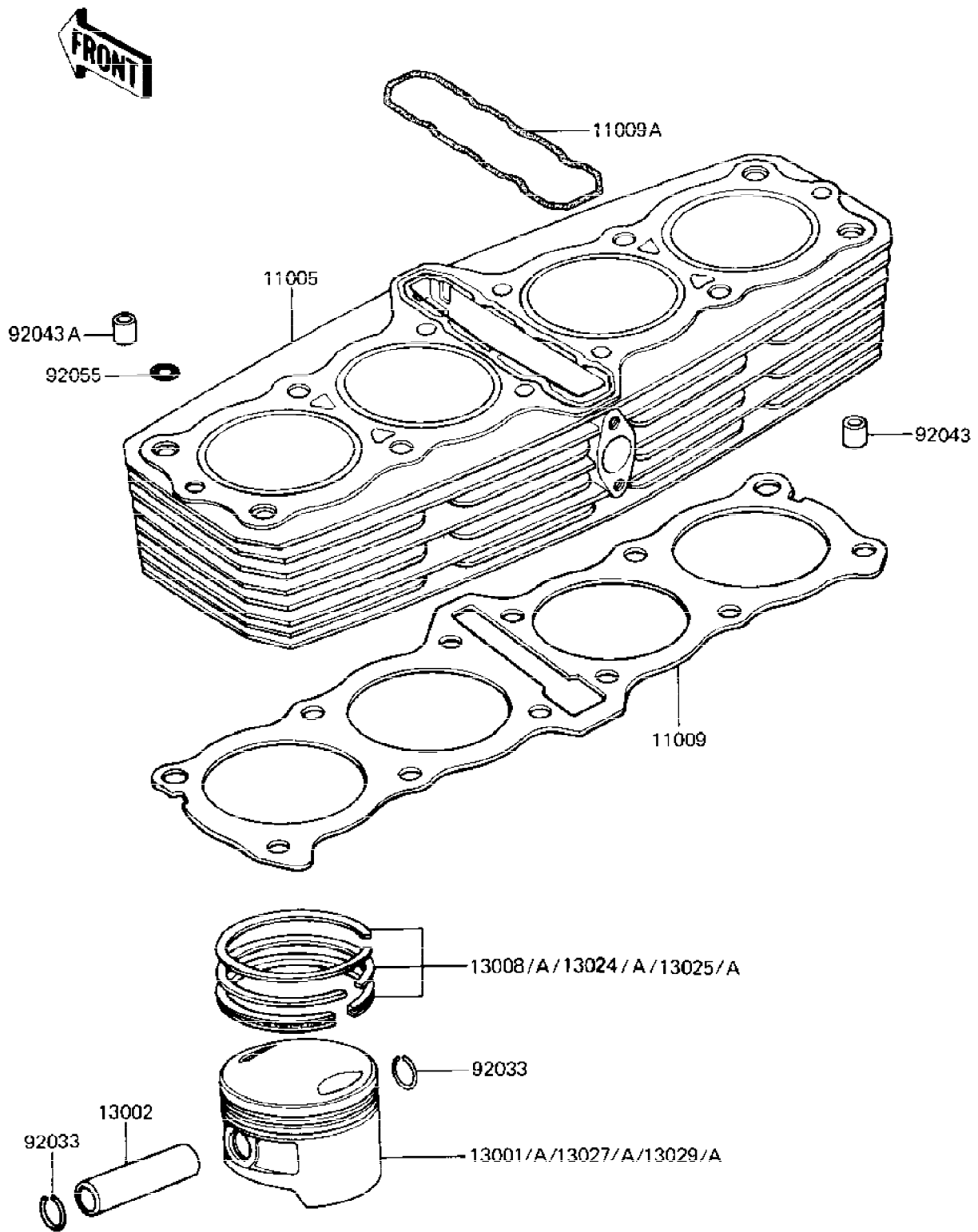
Ref #	Part Number	Qty	Description
11004	11004-1222	2	GASKET-HEAD
11008	11008-1045	1	HEAD-COMP-CYLINDER,AP
11008A	11008-1066	1	HEAD-COMP-CYLINDER,BL
13034	13034-030	16	BUSHING,CAMSHAFT
13169	13169-1793	2	PLATE,TUBE GUIDE
13169A	13169-1793	2	PLATE,TUBE GUIDE
16065	16065-1135	4	HOLDER-CARBURETOR
16065A	16065-1131	4	HOLDER-CARBERTOR
49002	12013-009	4	GUIDE,INLET VALVE
49002A	49002-1002	4	GUIDE,EXHAUST VALVE
92001	92002-1881	16	BOLT,6X43
92004	92004-1069	8	STUD,8X30
92004A	92004-1101	8	STUD,8X30,BLACK
92015	92015-1181	12	NUT,FLANGED CAP,10MM
92022	92022-1005	4	WASHER,10.5X22X1.6
92033	92036-023	8	CIRCLIP-VALVE
92037	92037-1304	4	CLAMP,ID=53,BLACK
92043	92042-007	8	PIN-DOWEL
92049	92049-016	8	OIL SEAL,RV37129.5
92066	92066-1104	4	PLUG,CYLINDER HEAD CO
120	120S0616	8	BOLT-SOCKET,6X16,BLAC
130	130S0645	2	BOLT-FLANGED,6X45,BLA
411	411B1000	8	WASHER PLAIN 10MM

E1112-0062



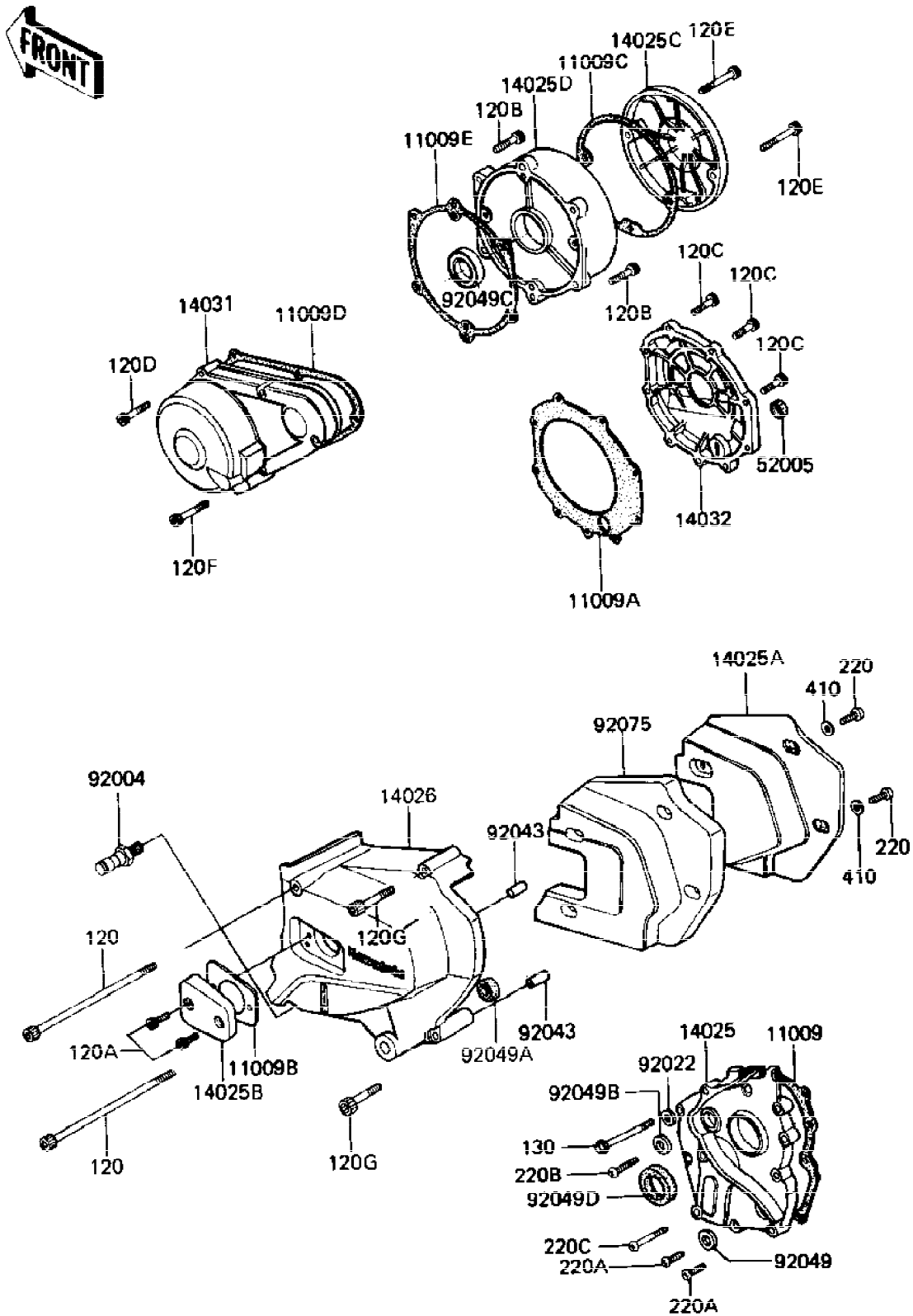
Ref #	Part Number	Qty	Description
11009	11009-1205	1	GASKET,CYLINDER HEAD
11009A	11060-1066	2	GASKET,REED VALVE US
12021	12021-1008	2	VALVE-ASSY-REED US
14025	14025-1423	1	COVER,CYLINDER HEAD,B
14025A	14025-1636	1	COVER,CYLINDER HEAD,B US
14025B	14025-1637	1	COVER,CYLINDER HEAD,BLACK (Can CN
14075	14075-5022	1	CAP-ASSY,REED VALVE,L US
14075A	14075-5023	1	CAP-ASSY,REED VALVE,R US
130	130J0622	4	BOLT-FLANGED,6X22,BLA US
130A	92002-1069	16	BOLT,6X45 US
130A	92002-1069	20	BOLT,6X45 US
130B	130J0652	4	BOLT-FLANGED,6X52,BLA
130C	130J0670	4	BOLT-FLANGED,6X70,BLA US

E1120-0048



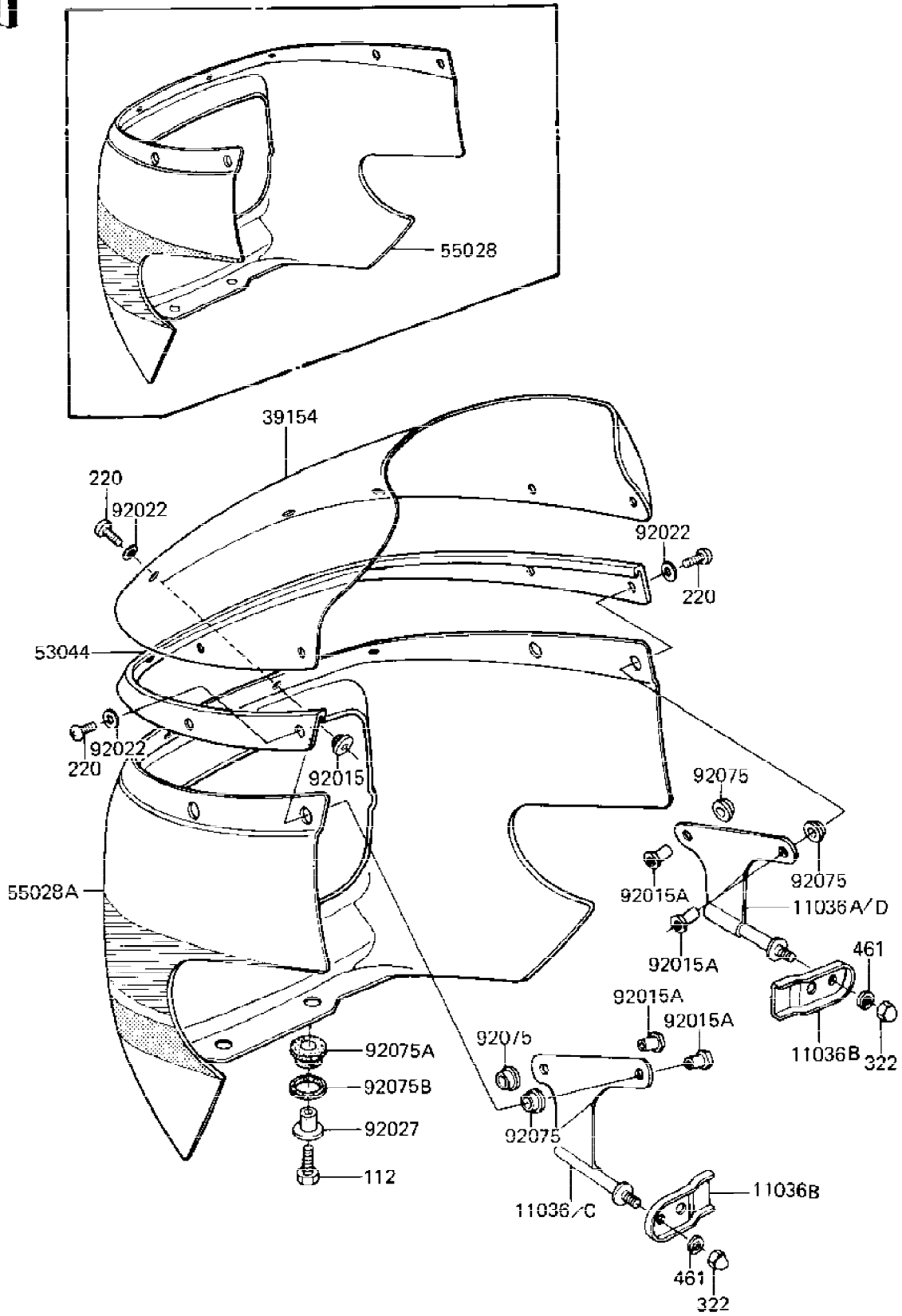
Ref #	Part Number	Qty	Description
11005	11005-1323	1	CYLINDER-ENGINE,BLACK
11009	11060-1067	1	GASKET,CYLINDER BASE
11009A	11009-1208	1	GASKET,CYLINDER
13001	13001-1119	4	PISTON-ENGINE,STD
13001A	13001-1119	4	PISTON-ENGINE,STD
13002	13002-1013	4	PIN-PISTON
13008	13008-5035	4	RING-SET-PISTON
13008A	13008-5056	4	RING-SET-PISTON,STD
13024	13024-5018	4	RING SET,1.10 O/S
13024A	13024-5024	4	RING-SET PISTON LL
13025	13025-5018	4	RING SET,050 O/S
13025A	13025-5024	4	RING-SET PISTON L,O/S
13027	13027-1056	4	PISTON-ENGINE LL,O/S
13027A	13027-1056	4	PISTON-ENGINE LL,O/S
13029	13029-1058	4	PISTON-ENGINE L,O/S
13029A	13029-1058	4	PISTON-ENGINE L,O/S
92033	92033-1054	8	RING-SNAP
92043	92043-1266	2	PIN,11X14X12.3
92043A	92043-1037	2	PIN,DOWEL,10X8.2X14
92055	92055-1148	4	RING-0,0D=18.5MM

E1431-0124



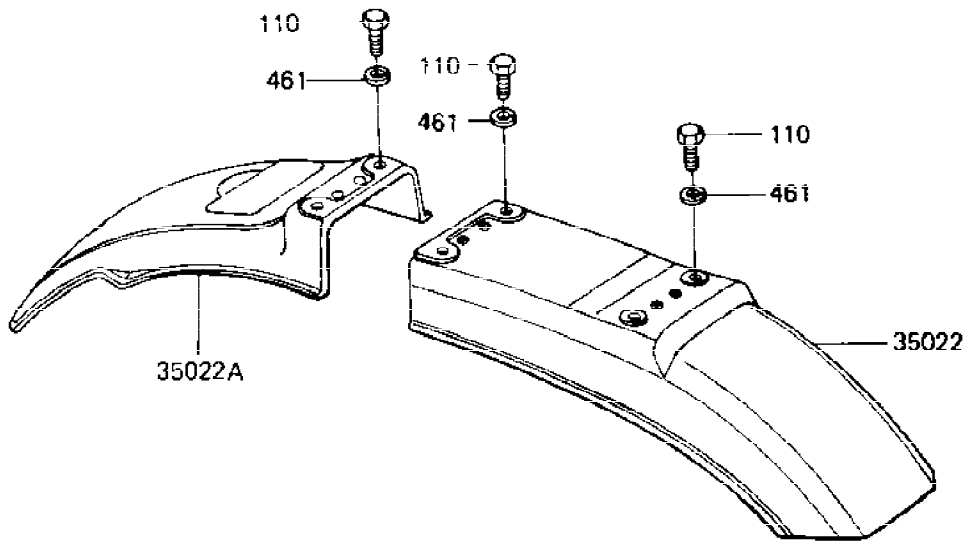
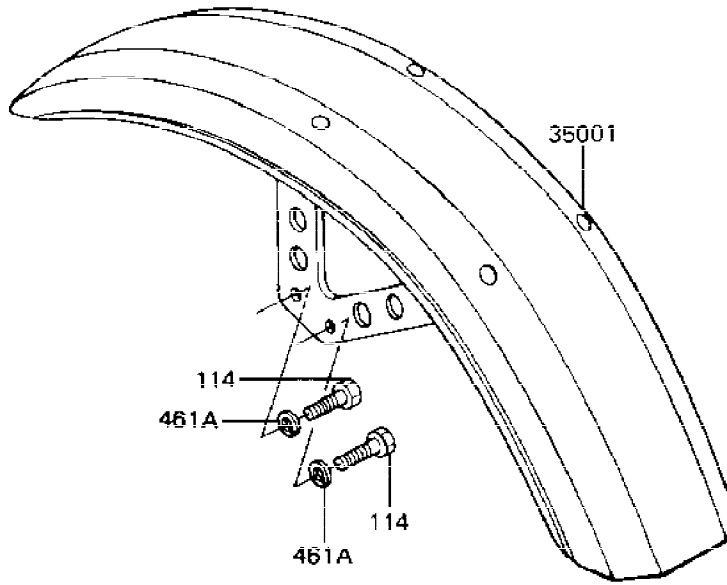
Ref #	Part Number	Qty	Description
11009	11060-1069	1	GASKET,TRANSMISSION C
11009A	11060-1070	1	GASKET,CLUTCH COVER
11009B	11060-1073	1	GASKET,CLUTCH ADJUSTI
11009C	11060-1072	1	GASKET,PULSING COIL C
11009D	11060-1075	1	GASKET,GENERATOR COVE
11009E	11060-1071	1	GASKET,RH ENGINE COVE
14025	14025-1240	1	COVER,TRANSMISSION
14025A	14025-1252	1	COVER,SOUND ARRESTER CN
14025B	14025-1409	1	COVER,CLUTCH RELEASES
14025C	14025-1610	1	COVER
14025D	14025-1426	1	COVER,ENGINE,RH,BLACK
14026	14026-1066	1	COVER-CHAIN,BLACK
14031	14031-1082	1	COVER-GENERATOR,BLACK
14032	14032-1075	1	COVER-CLUTCH,BLACK
52005	52005-1009	1	GAUGE,OIL LEVEL
92004	92004-1034	1	STUD,CHANGE PEDAL PIV
92022	92022-077	1	WASHER OIL PUMP BANJO
92043	92042-007	2	PIN-DOWEL
92049	92049-004	1	OIL SEAL SB12205
92049A	92049-1003	1	OIL SEAL,CLUTCH RELES
92049B	92049-1033	1	OIL SEAL,SC32487
92049C	92049-1033	1	OIL SEAL,SC32487
92049D	92049-1070	1	SEAL-OIL
92075	92075-1269	1	DAMPER,SOUND CN
120	120S06125	2	BOLT-SOCKET,6X125,BLA
120A	120S0614	2	BOLT-SOCKET,6X14,BLAC
120B	92002-1326	6	BOLT,SOCKET,6X22
120C	120S0625	9	BOLT,SOCKET,6X25,BLAC
120D	120S0630	6	BOLT,SOCKET,6X30,BLAC
120E	120S0635	2	BOLT-SOCKET,6X35,BLAC
120F	120S0640	2	BOLT-SOCKET,6X40
120G	120S0670	2	BOLT-SOCKET,6X70,BLAC
130	130G0655	1	BOLT,FLANGED,6X55
220	220B0612	4	SCREW PAN HEAD 6X12 CN
220A	220B0620	6	SCREW PAN HEAD 6X20
220B	220B0628	1	SCREW PAN HEAD 6X28
220C	220B0640	2	SCREW PAN HEAD 6X40
410	410B0600	4	WASHER PLAIN 6MM CN

F2871-0019



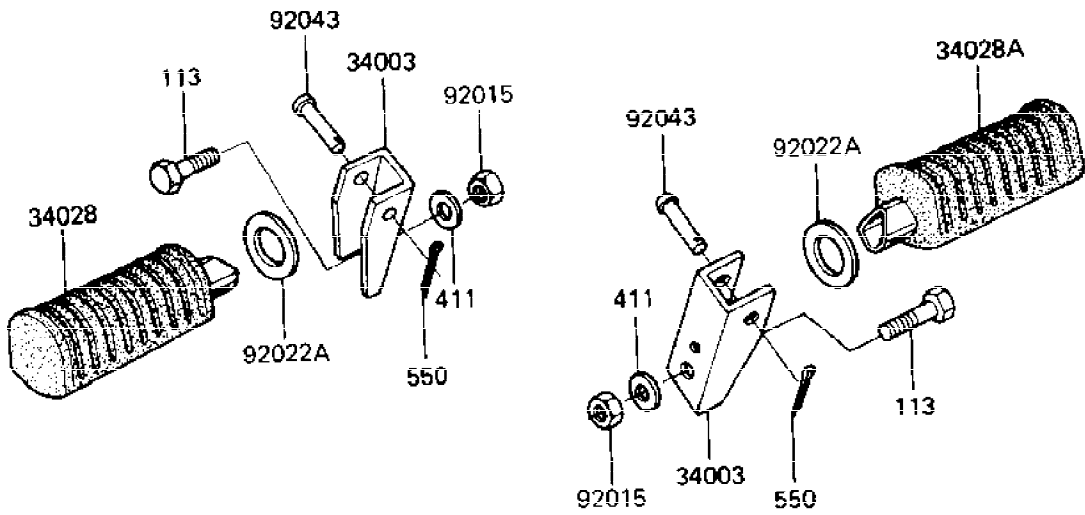
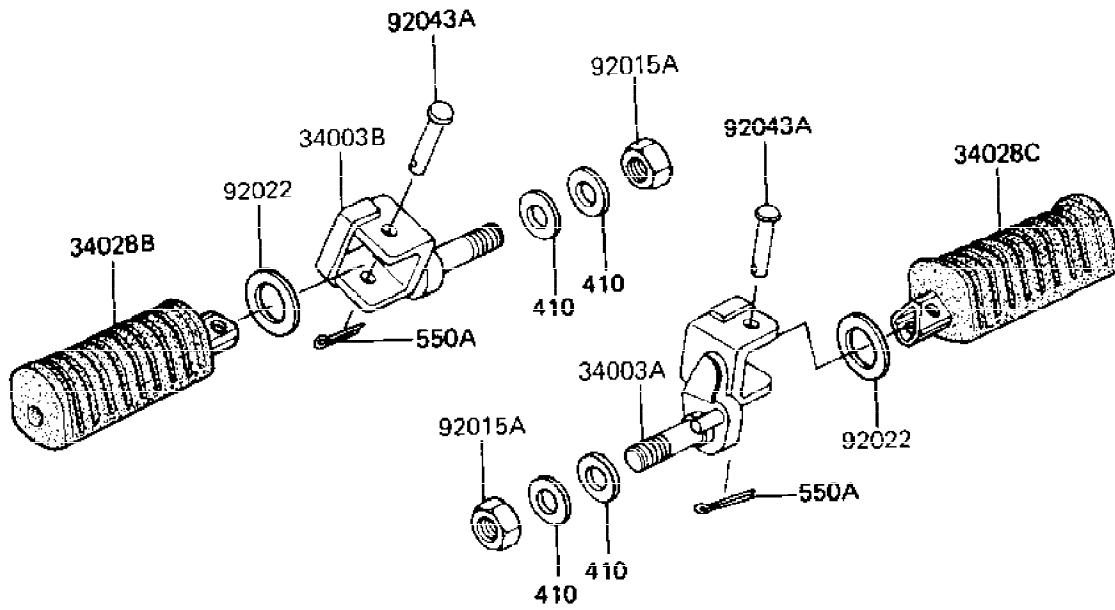
Ref #	Part Number	Qty	Description
11036	11036-1349	1	BRACKET-A,COWLING,LH,
11036A	11036-1350	1	BRACKET-A,COWLING,RH,
11036B	11036-1439	2	BRACKET-A,COWLING
11036C	11036-1573	1	BRACKET-A,COWLING,LH
11036D	11036-1574	1	BRACKET-A,COWLING,RH
39154	39154-1008	1	WINDSHIELD
53044	53044-1036	1	TRIM,COWLING
55028	55028-1012-7F	1	COWLING,L.GREEN
55028A	55028-5011-7F	1	COWLING,L.GREEN
92015	92015-1025	3	NUT,5M/M
92015A	92015-1150	4	NUT,5MM
92022	92022-1038	7	WASHER,PLAIN
92027	92027-1450	2	COLLAR,L=13.1,BLACK
92075	92075-1138	4	DAMPER,PILOT LAMP
92075A	92075-174	2	RUBBER,FENDER COVER
92075B	92075-175	2	DAMPER RUBBER
112	112C0625	2	BOLT-UPSET,6X25,BLACK
220	220C0512	7	SCREW-PAN-CROS,5X12,B
322	322C0600	2	NUT-CAP,6MM,BLACK
461	461K0600	2	WASHER-SPRING,6MM,BLA

F2170-0038



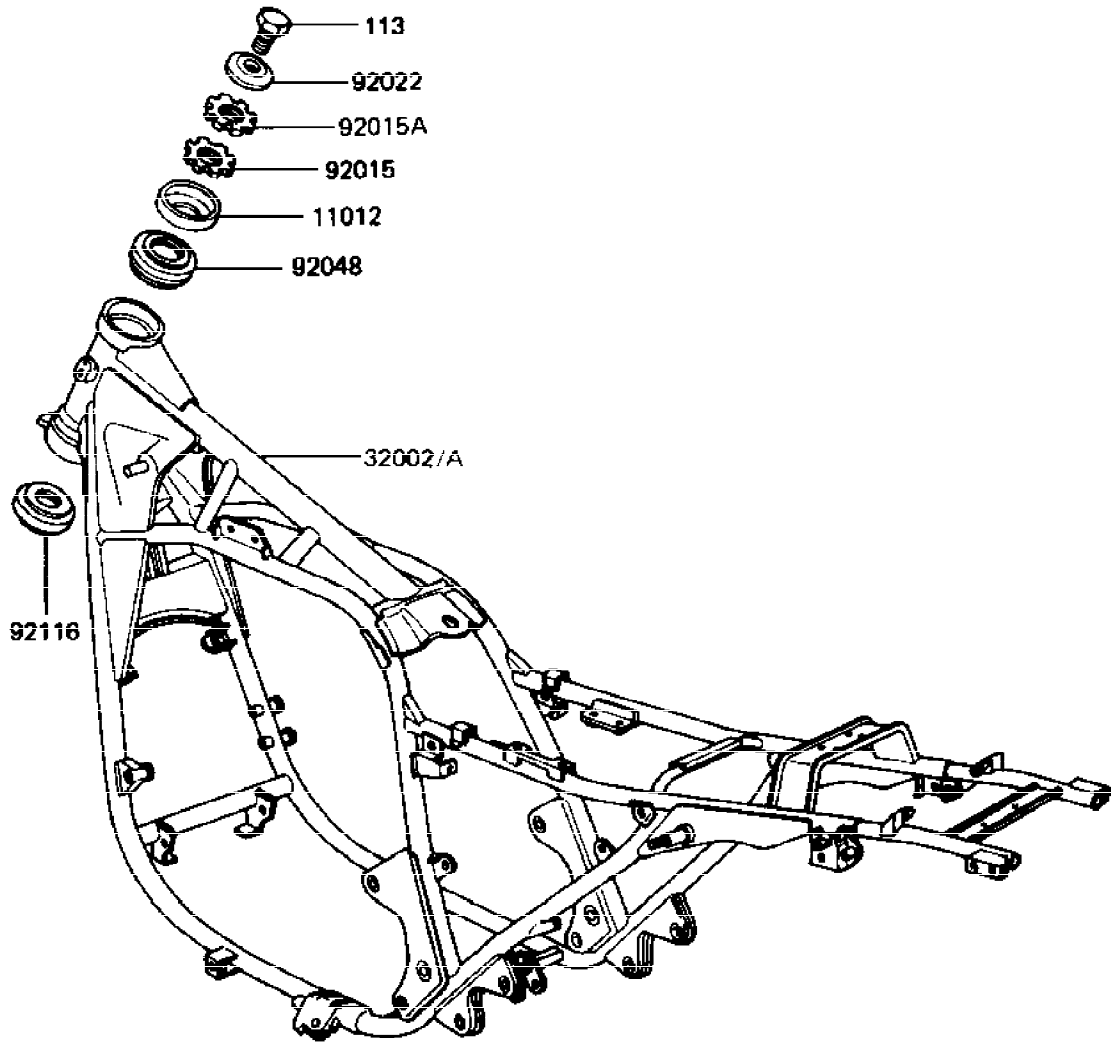
Ref #	Part Number	Qty	Description
35001	35001-1030-7F	1	FENDER-FR, GREEN
35022	35022-1069-6Z	1	FENDER-RR, BLACK
35022A	35022-1071	1	FENDER-RR
110	112G0620	6	BOLT-UPSET, 6X20
114	115G0816	4	BOLT-SMALL-UPSET, 8X16
461	461F0600	6	WASHER SPRING 6MM
461A	461F0800	4	WASHER SPRING 8MM

F2160-0069



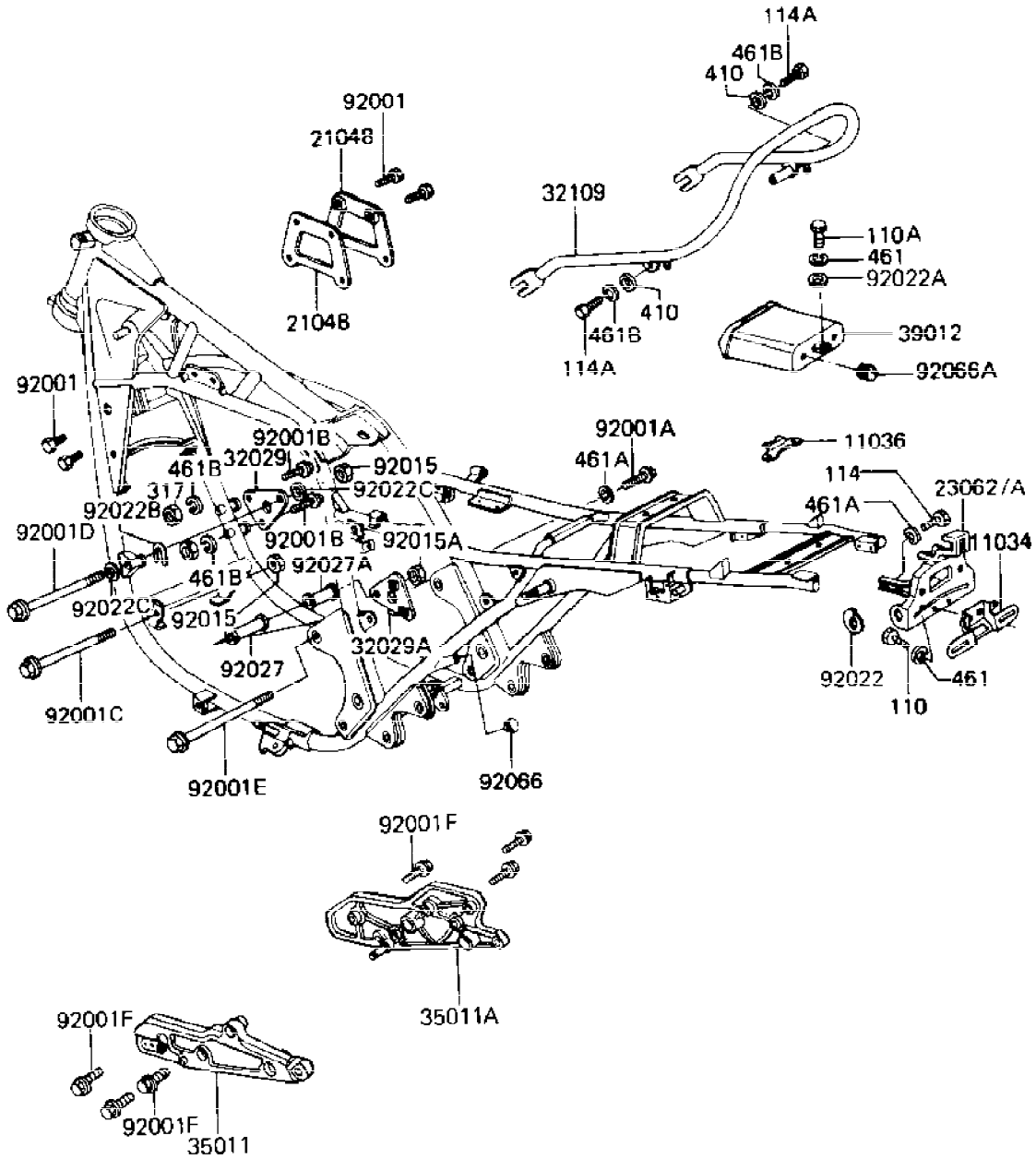
Ref #	Part Number	Qty	Description
34003	34003-1025	2	HOLDER,REAR FOOTREST
34003A	34003-1086	1	HOLDER-STEP,FR,RH
34003B	34003-1114	1	HOLDER-STEP,FR,LH
34028	34028-1041	1	STEP,RR,LH,BLACK
34028A	34028-1042	1	STEP,RR,RH,BLACK
34028B	34027-1108	1	STEP-ASSY,FR,LH,BLACK
34028C	34027-1109	1	STEP-ASSY,FR,RH,BLACK
92015	92015-1188	2	NUT,LOCK,10MM,BLACK
92015A	92019-009	2	NUT-LOCK,12MM
92022	92022-1319	2	WASHER,25X36X2.3,BLAC
92022A	92022-1320	2	WASHER,22.5X30X2.6,BL
92043	92043-1464	2	PIN
92043A	92043-115	2	PIN,FOOTREST BAR FIT
113	113J1040	2	BOLT-SMALL-FINE,10X40
410	410F1200	4	WASHER-PLANE-SMALL
411	411F1000	2	WASHER
550	550D2012	2	PIN,COTTER,2.0X12
550A	550D2515	2	PIN,COTTER,2.5X15

F2120-0212



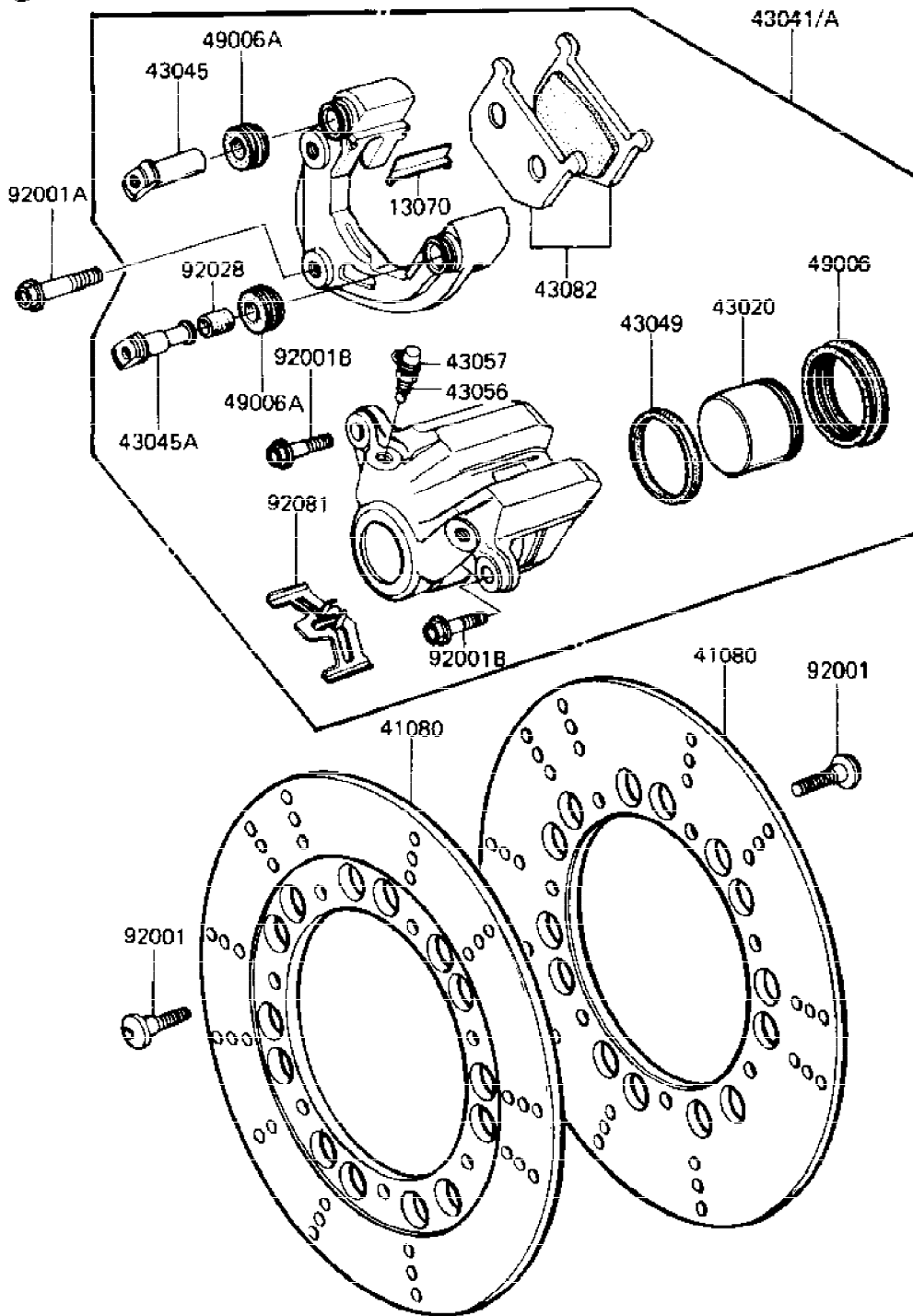
Ref #	Part Number	Qty	Description
11012	46098-017	1	CAP,STEERING STEM
32002	32002-1396	1	FRAME-COMP
32002A	32002-1539	1	FRAME-COMP,US
92015	92015-1128	1	NUT
92015A	92015-1129	1	NUT
92022	92022-1229	1	WASHER
92048	92047-017	1	BEARING,STEERING STEM
92116	92116-1009	1	BRG,ROLLER,HR320/28XJ
113	113G1425	1	BOLT-SMALL-FINE

F2131-0154



Ref #	Part Number	Qty	Description
11034	11034-1922	1	BRACKET
11036	11036-1070	1	BRACKET-A,STORAGE
21048	21048-1001	2	PLATE,IGNITION COIL
23062	23062-1032	1	BRACKET-COMP,TL LAMP
23062A	23062-1032	1	BRACKET-COMP,TL LAMP
32029	32029-1142	1	BRACKET-ENGINE
32029A	32029-1143	1	BRACKET-ENGINE
32109	32109-1029	1	GRIP-FRAME
35011	35011-1207	1	STAY,MUFFLER,LH
35011A	35011-1208	1	STAY,MUFFLER,RH
39012	39012-1014	1	CASE-STORAGE
92001	92001-137	4	BOLT,HEX HEAD,6MM
92001A	92001-1612	2	BOLT,FLANGED,8X40,BLA
92001B	92001-1616	2	BOLT,FLANGED,8X65,BLA
92001C	92001-1620	1	BOLT,FLANGED,10X155,B
92001D	92001-1624	1	BOLT,FLANGED,10X320,B
92001E	92001-1655	1	BOLT,FLANGED,12X285
92001F	131J0835	6	BOLT-FLANGED,8X35,BLA
92015	92015-1189	2	NUT,LOCK,10MM,BLACK
92015A	92015-1190	1	NUT,LOCK,12MM,BLACK
92022	92022-1230	2	WASHER,SIGNAL LAMP BR
92022A	92022-125	1	WASHER 6.5X20X1.6T
92022B	92022-1259	1	WASHER,U FORMED
92022C	92022-1022	2	WASHER,PLAIN
92027	92027-1310	1	COLLAR,13X25X54
92027A	92027-1311	1	COLLAR,13X25X29.5
92066	92066-1034	1	PLUG,FRAME END
92066A	92074-038	2	RUBBER PLUG
110	112G0612	2	BOLT-UPSET,6X12
110A	112G0616	1	BOLT-UPSET,6X16
114	115G0816	4	BOLT-SMALL-UPSET,8X16
114A	115C0870	2	BOLT-SMALL,8X70,BLACK
317	317C0800	2	NUT-HEX-SMALL,8MM,BLA
410	92022-1554	2	WASHER,PLAIN,8MM
461	461F0600	3	WASHER SPRING 6MM
461A	461F0800	4	WASHER SPRING 8MM
461B	461K0800	4	WASHER-SPRING,8MM,BLA

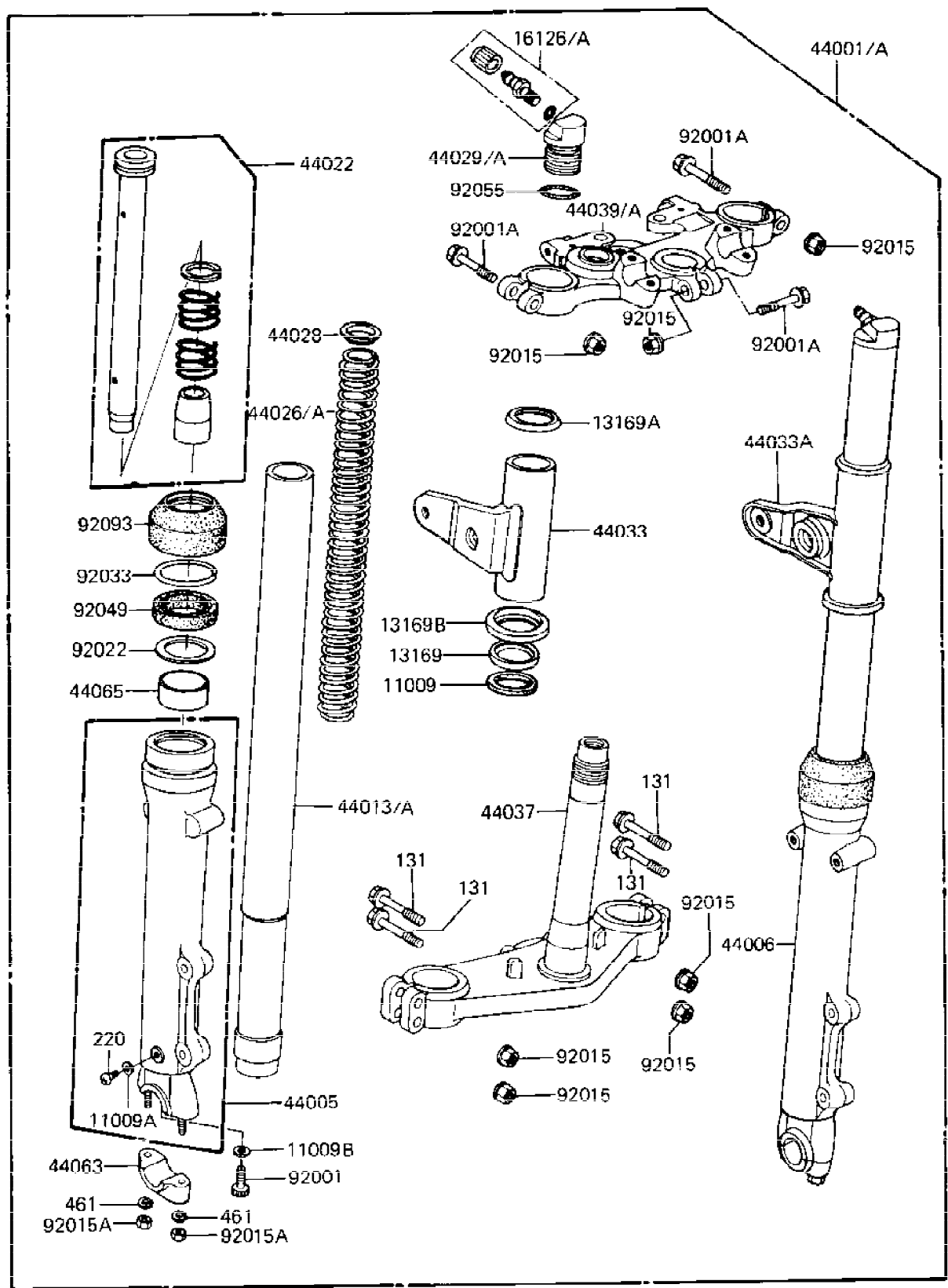
F2292-0025



Ref #	Part Number	Qty	Description
13070	13070-1026	4	GUIDE,PAD
41080	41080-1038	2	DISK,FR
43020	43020-1096	2	PISTON-COMP-BRAKE
43041	43041-1053	1	CALIPER-ASSY,FR,LH
43041A	43041-1054	1	CALIPER-ASSY,FR,RH
43045	43045-1007	2	SHAFT,CALIPER
43045A	43045-1008	2	SHAFT,CALIPER
43049	43049-002	2	RING,PISTON SEAL
43056	43056-003	2	BREEDER
43057	43057-003	2	CAP,BREEDER
43082	43082-1026	2	PAD-ASSY-BRAKE
49006	49006-1043	2	DUST SEAL,PISTON
49006A	49006-1044	4	DUST SEAL
92001	92001-1951	14	BOLT,SOCKET,8X30
92001A	92001-1507	4	BOLT,FLANGED,10X41,BL
92001B	92001-1510	4	BOLT,FLANGED,8X25,BLA
92028	92028-1090	2	BUSHING,SHAFT CALIPER
92081	92081-1229	2	SPRING,PAD

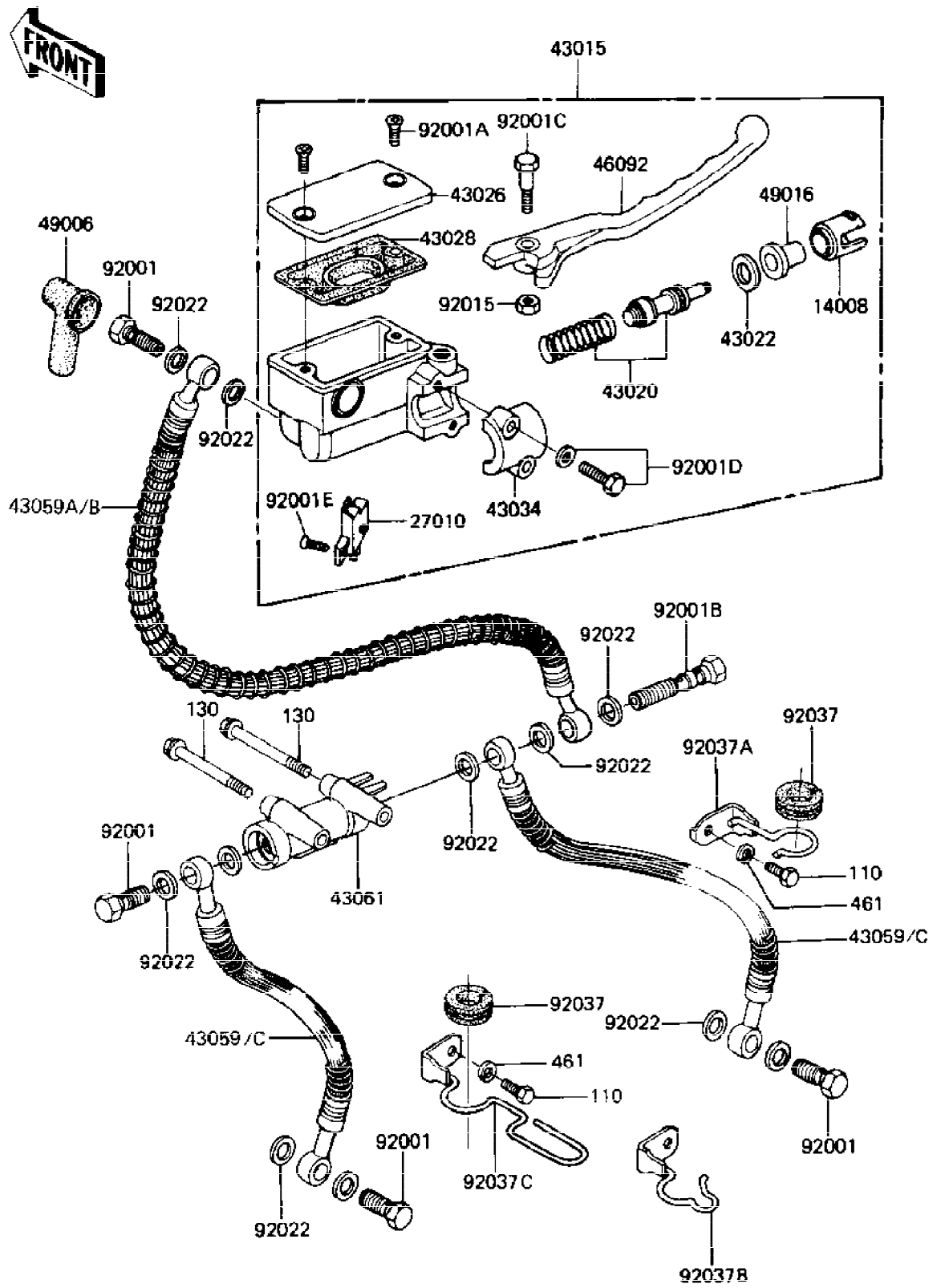


F2340-0193



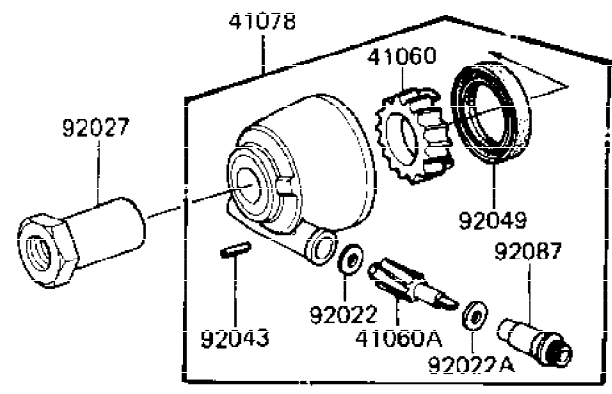
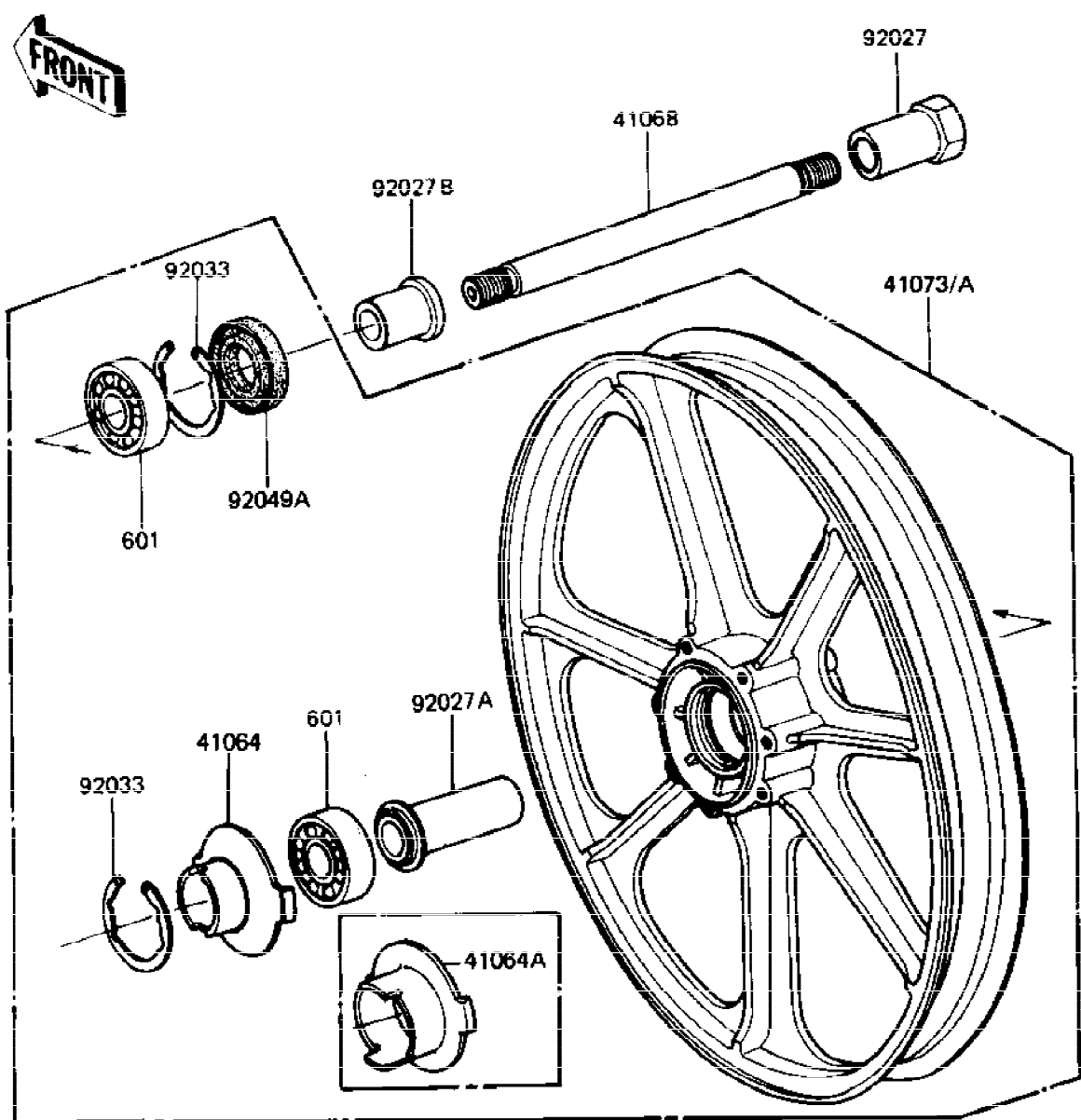
Ref #	Part Number	Qty	Description
11009	11009-1015	2	GASKET,FORK COVER
11009A	44045-002	2	GASKET FORK DRAIN PLG
11009B	44045-057	2	GASKET,FORK CYLINDER
13169	13169-1020	2	WASHER,FRK COVER GIDE
13169A	13169-1498	2	PLATE,FORK COVER,UPP
13169B	13169-1499	2	PLATE,FORK COVER,LWR
16126	16126-1052	2	VALVE AIR
16126A	16126-1052	2	VALVE AIR
44001	44001-1367	1	FORK-FRONT
44001A	44001-1468	1	FORK-FRONT
44005	44005-1094	1	TUBE,LH,FORK OUTER
44006	44006-1094	1	TUBE,RH,FORK OUTER
44013	44013-1086	2	PIPE-FORK INNER
44013A	44013-1123	2	PIPE-FORK INNER
44022	44022-1055	2	CYLINDER-FORK
44026	44026-1085	2	SPRING, FRONT FORK
44026A	44026-1194	2	SPRING-FRONT FORK
44028	44028-1004	2	GUIDE,FORK SPRING
44029	44029-1021	2	SEAT-FORK SPRING
44029A	44029-1044	2	SEAT-FORK SPRING,LH
44033	44033-1104	1	COVER-FORK,LH,F.BLACK
44033A	44033-1105	1	COVER-FORK,RH,F.BLACK
44037	44037-1072	1	HOLDER-FORK UNDER
44039	44039-1045	1	HOLDER-FORK UPPER
44039A	44039-1070	1	HOLDER-FORK UPPER
44063	44063-1006	2	HOLDER-FRONT AXLE
44065	44065-1091	2	BUSHING-FRONT FORK,OU
92001	44041-040	2	BOLT-FORK CYLINDER
92001A	92001-1572	3	BOLT,FLANGED,8X57,BLA
92015	92015-1408	7	NUT,FLANGED,8MM
92015A	92015-1205	4	NUT,U,8MM,BLACK
92022	92022-1262	2	WASHER,FORK OUT PIPE
92033	92033-1047	2	SNAP RING,FORK OUTER
92049	92049-1295	2	SEAL-OIL,FORK OUTER T
92055	92055-1051	2	"O" RING,FORK TOP
92093	92093-1051	2	SEAL
131	131J0855	4	BOLT-FLANGED,8X55,BLA
220	220B0408	2	SCREW PAN HEAD 4X8
461	461K0800	4	WASHER-SPRING,8MM,BLA

F2291-0115



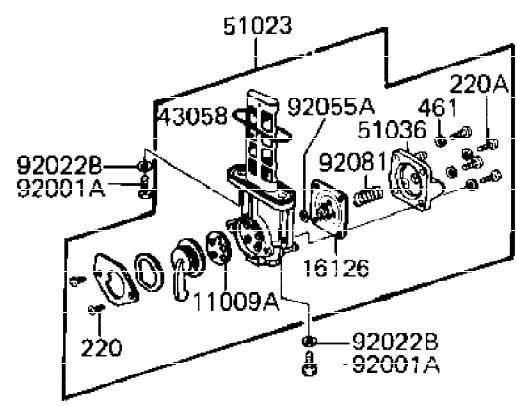
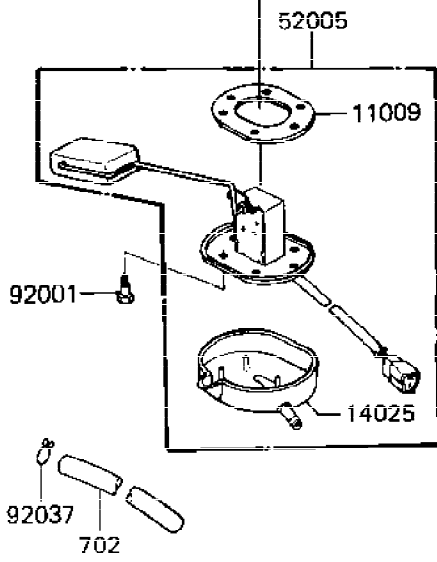
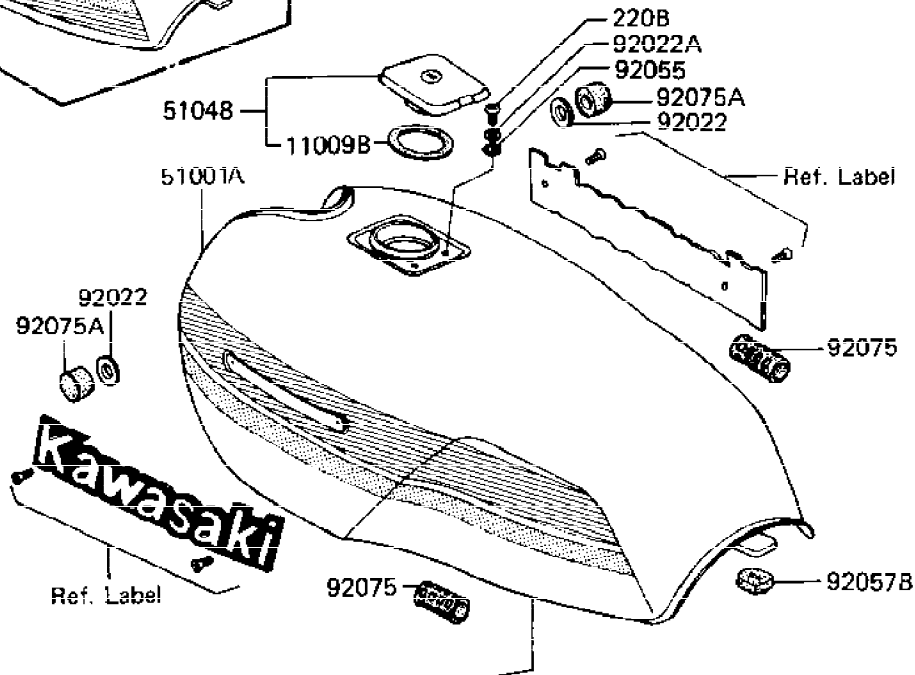
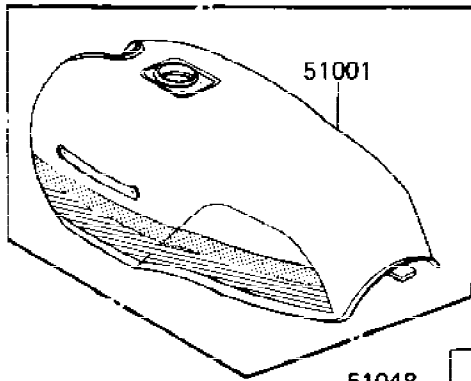
Ref #	Part Number	Qty	Description
14008	14008-1035	1	LINER,PISTON
27010	27010-1056	1	SWITCH,BRAKE
43015	43015-1085	1	CYLINDER-ASSY-MASTER
43020	43020-1079	1	PISTON-COMP-BRAKE
43022	43022-1009	1	STOPPER-BRAKE,PISTON
43026	43026-1017	1	CAP-BRAKE,FRONT
43028	43028-1029	1	DIAPHRAGM,MASTER CYL1
43034	43034-1013	1	HOLDER-BRAKE,MASTER C
43059	43059-1198	2	HOSE-BRAKE,FR,L=550
43059A	43059-1183	1	HOSE-BRAKE,FR,L=370
43059B	43059-1183	1	HOSE-BRAKE,FR,L=370
43059C	43059-1184	2	HOSE-BRAKE,FR,L=550
43061	43061-1004	1	JOINT BRAKE
46092	46092-1026	1	LEVER-GRIP,MASTER CYL
49006	49006-1067	1	BOOT,DUST
49016	49016-1041	1	COVER-SEAL,BRK PISTON
92001	92002-1888	4	BOLT,OIL,L=23
92001A	92001-1055	2	SCREW,COUNTERSUNK HED
92001B	92002-1909	1	BOLT
92001C	92001-1512	1	BOLT,6X37.3,BLACK
92001D	92001-1513	2	BOLT,W/WASHER,6X25,BL
92001E	92001-1532	1	SCREW-COUNTERSUNK
92015	92015-1191	1	NUT,LOCK,6MM,BLACK
92022	43067-001	11	WASHER-OIL BOLT
92037	43064-006	2	DAMPER RUBBER,CYL HSE
92037A	92037-1217	1	CLAMP,BRAKE HOSE,RH
92037B	92037-1231	1	CLAMP,BRAKE HOSE,LH
92037C	92037-1296	1	CLAMP,BRAKE HOSE,LH
110	112C0612	2	BOLT, 6X12, BLACK
130	130G0660	2	BOLT-FLANGED,6X60
461	461K0600	2	WASHER-SPRING,6MM,BLA

F2230-0054



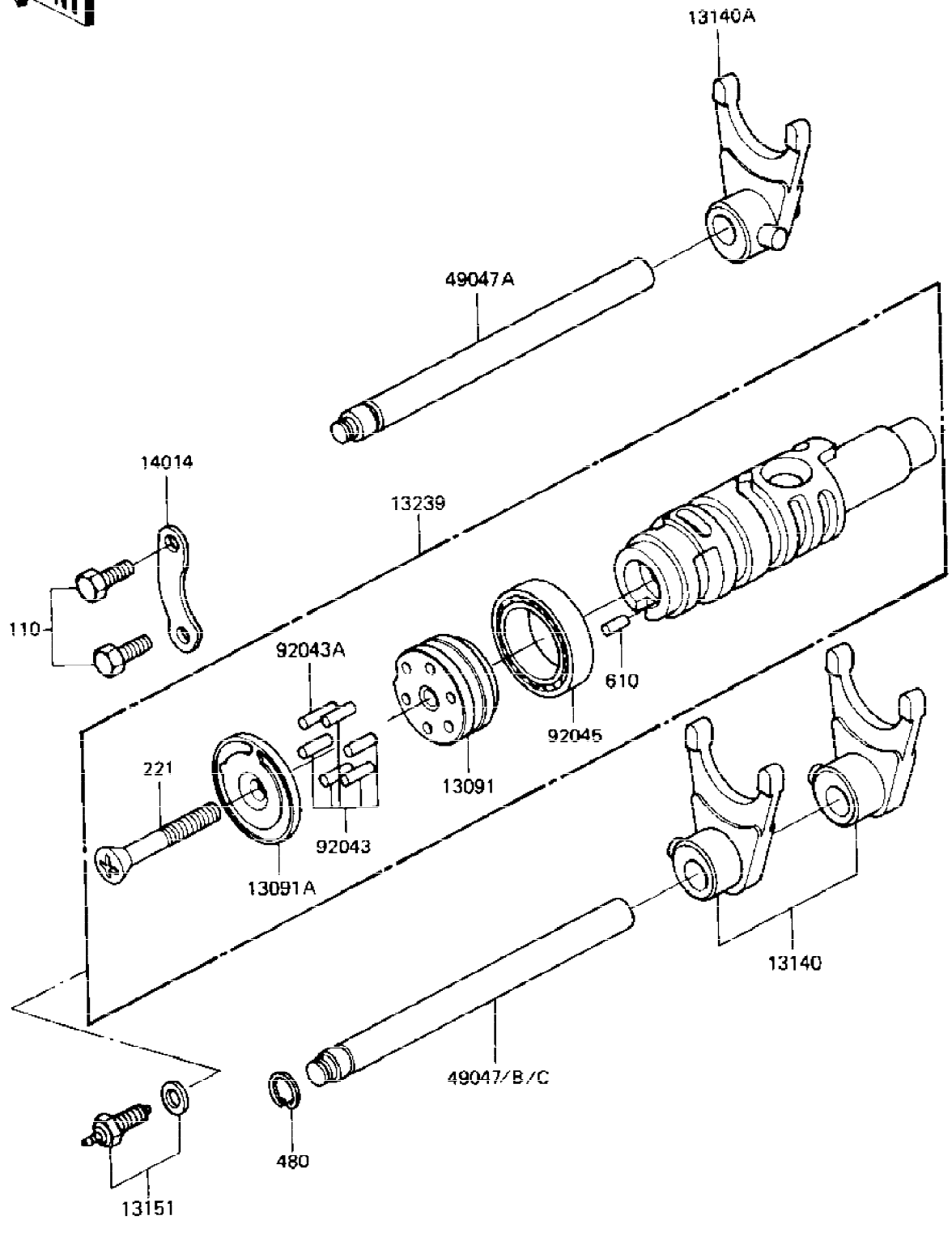
Ref #	Part Number	Qty	Description
41060	41059-026	1	GEAR,SPEEDOMETER
41060A	41060-1016	1	PINION,SPEEDOMETER,9T
41064	41064-1006	1	RECEIVER,SPEEDOMETER
41064A	41064-1008	1	RECEIVER-SPEEDOMETER
41068	41068-1031	1	AXLE,FRONT
41073	41073-1139-F6	1	WHEEL-ASSY,FR,SOLID,M
41073A	41073-1129-F6	1	WHEEL-ASSY,FR,SOLID,G
41078	41078-1024	1	CASE-ASSY-METER GEAR,
92022	41063-001	1	WASHER THRST SPD PINI
92022A	41063-001	1	WASHER THRST SPD PINI
92027	41069-031	2	COLLAR,FRONT AXLE
92027A	92027-1223	1	COLLAR,FR HUB L=55M/M
92027B	92027-1225	1	COLLAR,FR AXLE L=30MM
92033	92033-1041	2	CIRCLIP,42MM
92043	41082-001	1	PIN,SPRING
92049	92049-1057	1	OIL SEAL,BJN30427-C3
92049A	92049-1058	1	OIL SEAL,AG1144AO
92087	92087-1002	1	BUSHING,METER GEAR
601	601B6302Z	2	BEARING BALL #6302Z

F2410-0190



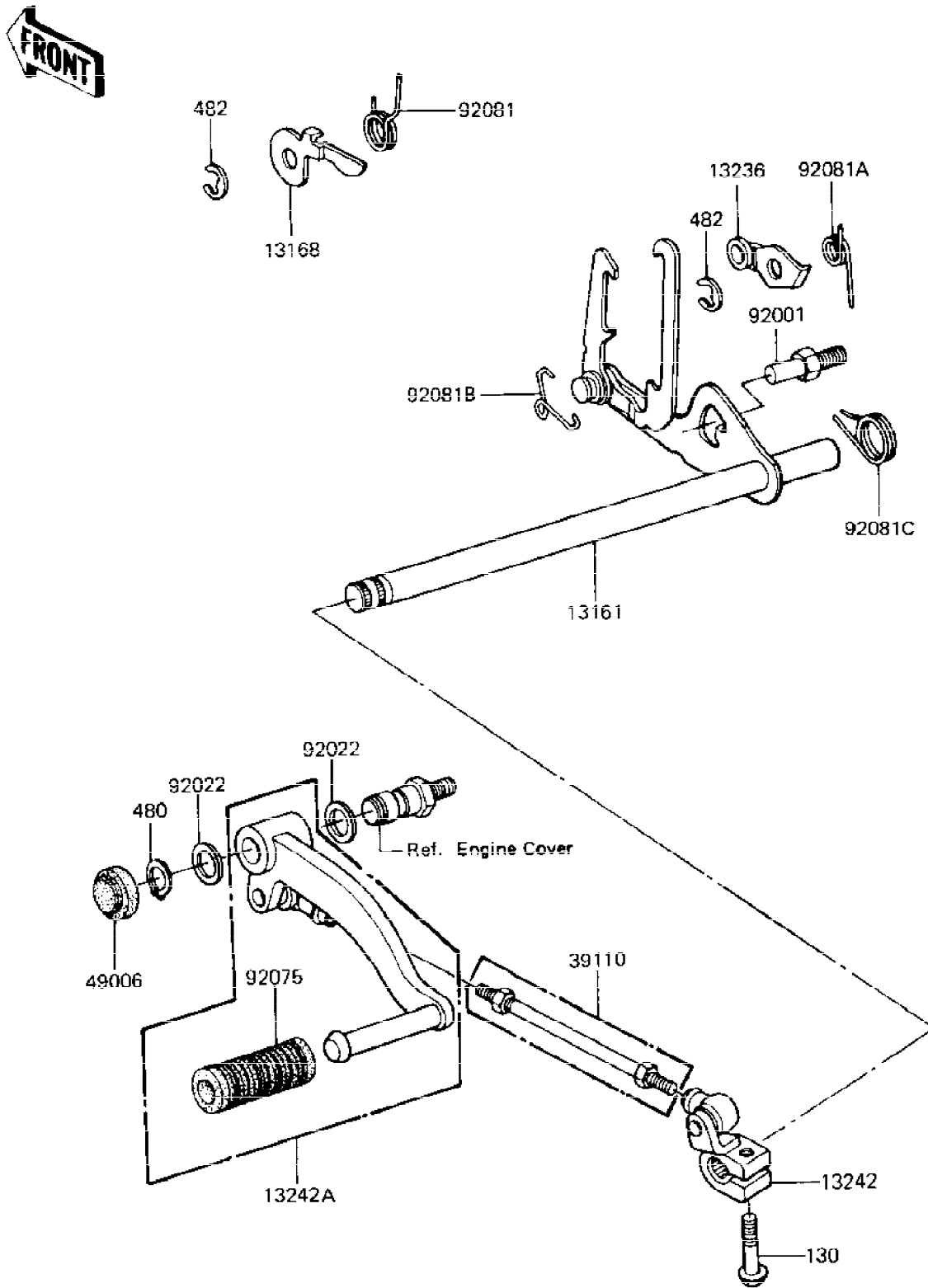
Ref #	Part Number	Qty	Description
11009	11009-1037	1	GASKET
11009A	11009-1044	1	GASKET,FUEL TAP
11009B	11009-1051	1	GASKET,FUEL TANK CAP
14025	14024-1434	1	COVER,FUEL GAUGE
16126	16126-1038	1	VALVE,DIAPHRAM
43058	43058-1001	1	"O" RING
51001	51001-1092-7F	1	TANK-FUEL,L.GREEN
51001A	51001-5295-7F	1	TANK-COMP-FUEL,LGREEN
51023	51023-1174	1	TAP-ASSY,FUEL
51036	51036-1001	1	COVER ASSY,FUEL TAP
51048	51048-1015	1	CAP-ASSY-TANK,FUEL
52005	52005-1026	1	GAUGE,FUEL
92001	92001-1069	6	BOLT,FUEL GAUGE FIT
92001A	92001-1091	2	BOLT,6X20,FUEL TAP
92022	92022-044	2	WASHER-PL-10.5X26X2.3
92022A	92022-1038	2	WASHER,PLAIN
92022B	92022-183	2	WASHER-PLAIN
92037	92037-147	1	CLAMP,CHAIN OILER
92055	92055-1023	2	"O" RING
92055A	92055-1068	1	"O" RING,DIAPHRAGM
92075	92075-084	2	DAMPER RUBBER
92075A	92075-125	2	DAMPER RUBBER,FL TANK
92075B	92075-295	1	DAMPER RUBBER FUEL TA
92081	92081-1054	1	SPRING,DIAPHRAGM
220	220B0408	2	SCREW PAN HEAD 4X8
220A	220B0412	4	SCREW-PAN-CRSOSS,4X12
220B	220B0510	2	SCREW PAN HEAD 5X10
461	461F0400	4	WASHER SPRING 4MM
702	702A071000	1	TUBE-BREATHHER (BULK)

E1362-0066



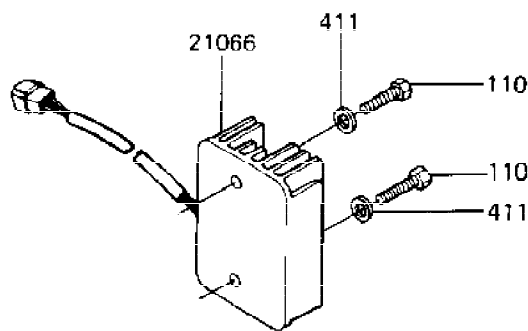
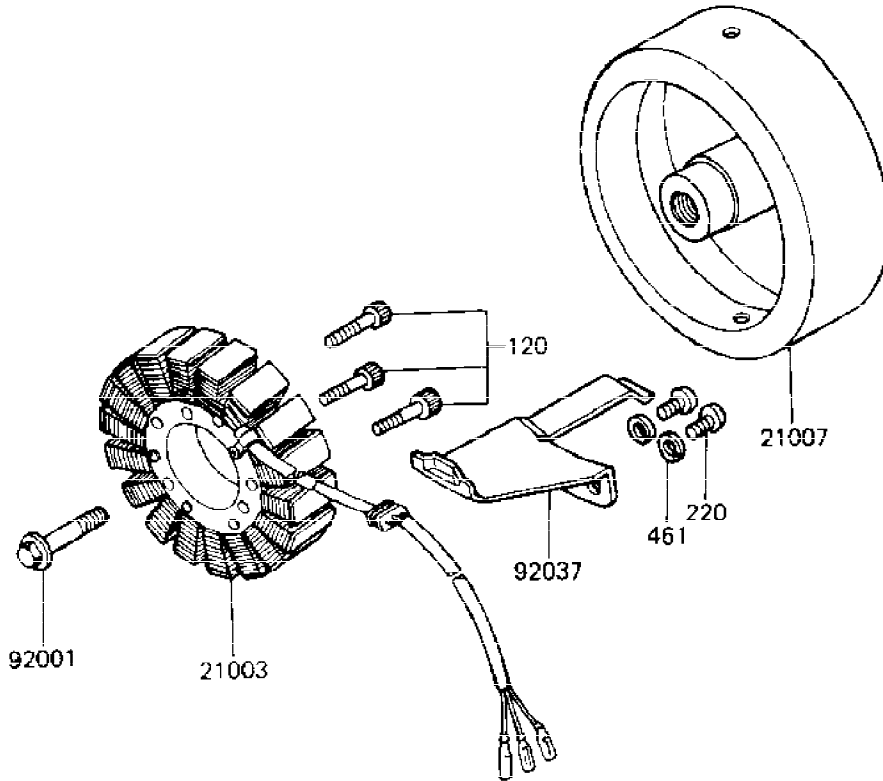
Ref #	Part Number	Qty	Description
13091	13091-1087	1	HOLDER,CHANGE DRUM PI
13091A	13091-1088	1	HOLDER,CHANGE DRUM
13140	13140-1045	2	FORK-SHIFT
13140A	13140-1046	1	FORK-SHIFT
13151	13151-5003	1	SWITCH,NEUTRAL
13239	13239-1107	1	DRUM-ASSY-CHANGE
14014	14014-1015	1	PLATE-POSITION
49047	49047-1019	1	ROD-SHIFT (SUBSTITUTES 49047-1019)
49047A	49047-1014	1	ROD-SHIFT
49047B	49047-1019	1	ROD-SHIFT
49047C	49047-1019	1	ROD-SHIFT
92043	92042-014	5	PIN GEAR CHANGE DRUM
92043A	92042-020	1	PIN-CHANGE DRUM
92045	92045-1035	1	BEARING-BALL,6806
110	112G0616	2	BOLT-UPSET,6X16
221	221B0645	1	SCREW-CSK-CROS,6X45
480	480J1200	1	CIRCLIP 12MM
610	610A0410	1	PIN DOWEL 4X10

E1370-0112



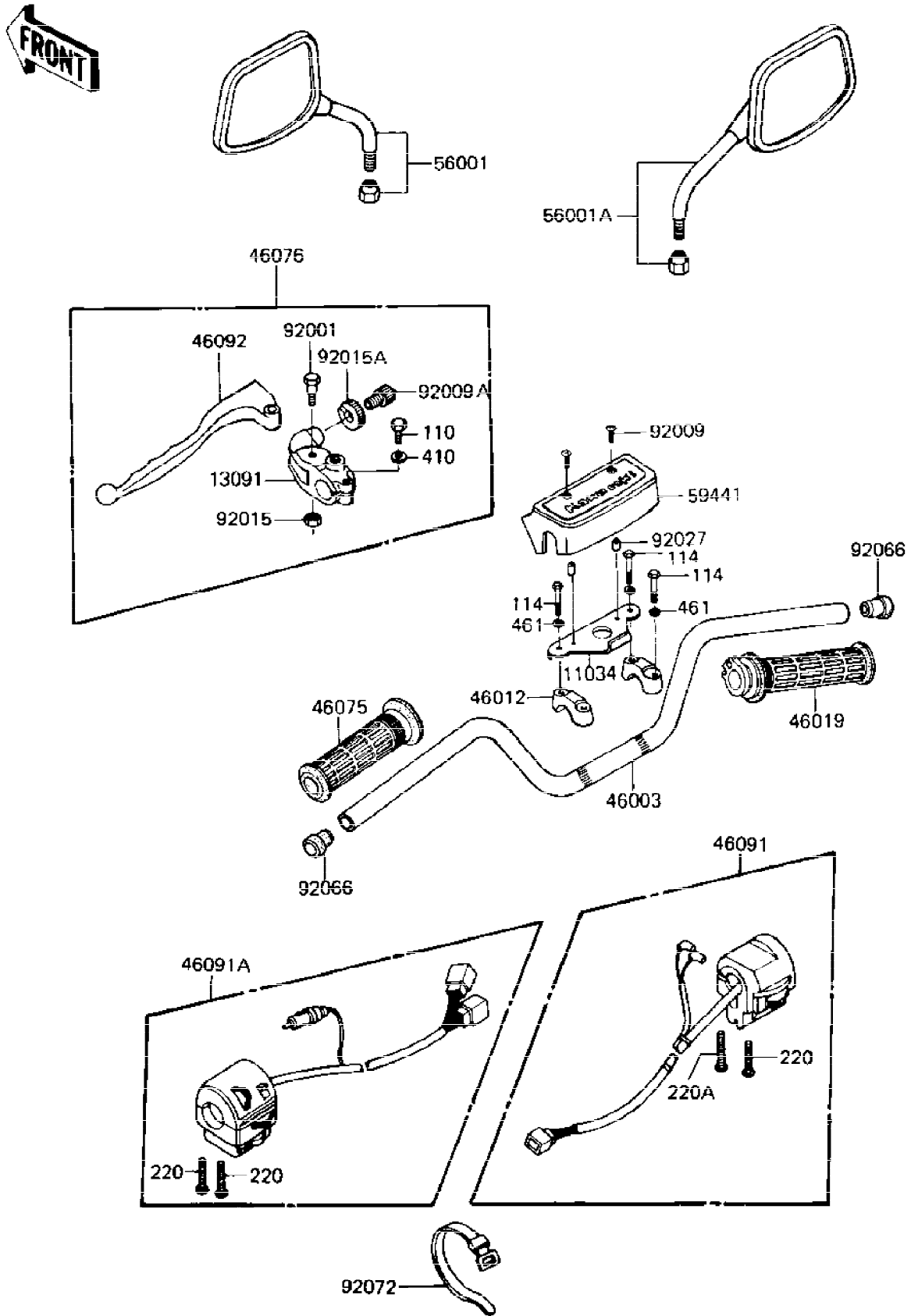
Ref #	Part Number	Qty	Description
13161	13161-1023	1	LEVER-COMP-CHANGE SHA
13168	13168-1074	1	LEVER,GEAR POSITIONIN
13236	13236-1029	1	LEVER-COMP,NEUTRAL PO
13242	13242-1048	1	LEVER-ASSY-CHANGE,ROD
13242A	13242-1049	1	LEVER-ASSY-CHANGE,PDL
39110	39110-1008	1	ROD-ASSY-TIE,L=90,BLA
49006	49006-1061	1	BOOT,CHANGE LEVER
92001	92001-1401	1	BOLT,RETURN SPRING
92022	92022-072	2	WASHER PLAIN 12MM
92075	13157-004	1	RUBBER CHANGE PEDAL
92081	92081-1284	1	SPRING,POSITIONING LE
92081A	92081-1285	1	SPRING
92081B	92083-018	1	SPRING,KICK PAWL
92081C	92083-028	1	SPRING,CHG PEDL RTRN
130	130S0620	1	BOLT-FLANGED,6X20,BLA
480	480J1200	1	CIRCLIP 12MM
482	482J6000	2	CIRCLIP 6MM

E1810-0009



Ref #	Part Number	Qty	Description
21003	21003-1040	1	STATOR
21007	21007-1036	1	ROTOR
21066	21066-1018	1	REGULATOR-VOLTAGE
92001	92001-1146	1	BOLT,12X40
92037	92037-1214	1	CLAMP
110	112B0614	2	BOLT-UPSET 6X14
120	120P0630	3	BOLT,SOCKET,6X30
220	220B0512	2	SCREW PAN HEAD 5X12
411	411B0600	2	WASHER PLAIN 6MM
461	461F0500	2	WASHER SPRING 5MM

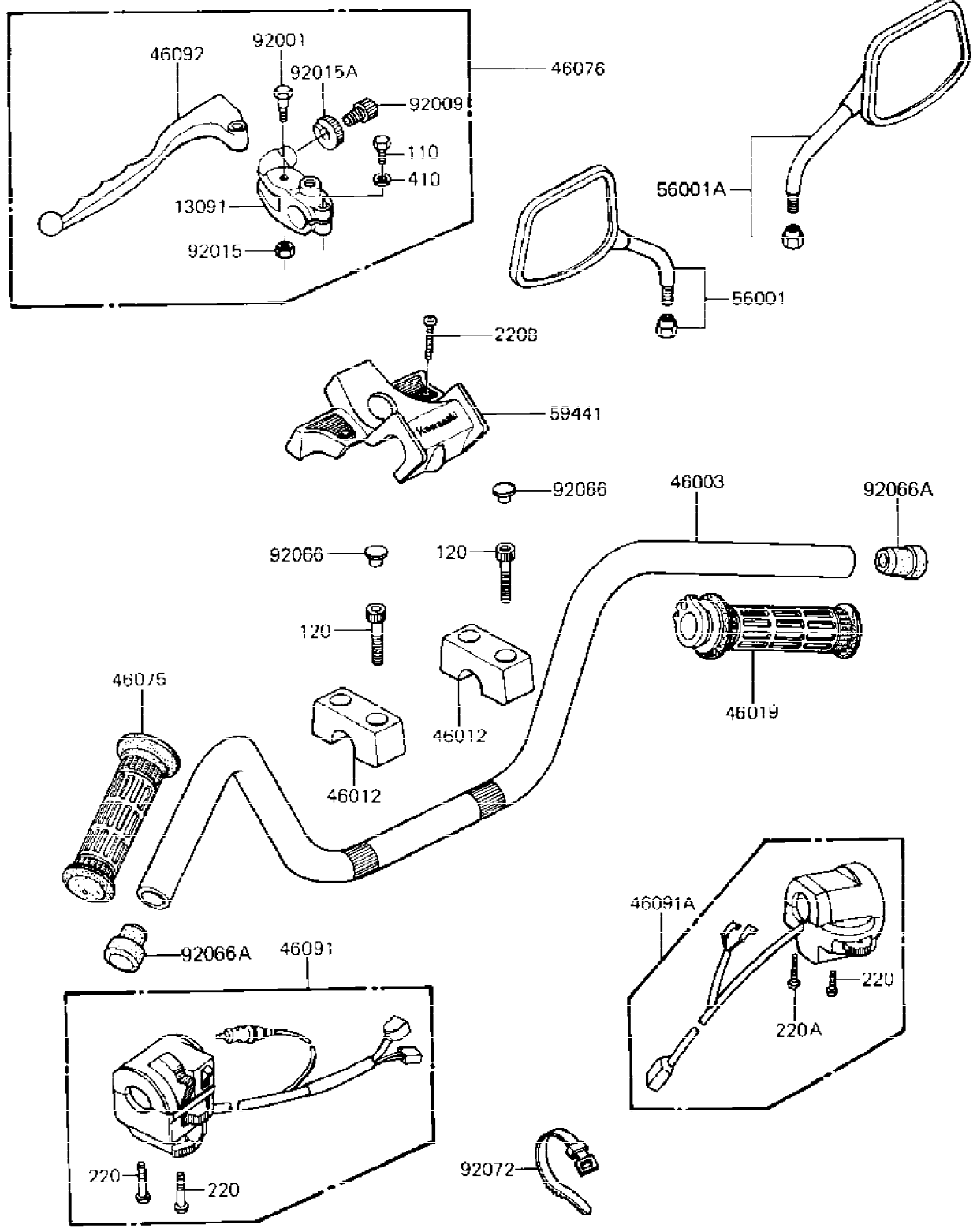
F2310-0183



Ref #	Part Number	Qty	Description
11034	11034-1899	1	BRACKET,HANDLE COVER
13091	13091-1046	1	HOLDER,CLUTCH LEVER
46003	46003-1107	1	HANDLEBAR
46012	46012-1011	2	HOLDER-HANDLE
46019	46019-1021	1	GRIP-ASSY,THROTTLE
46075	46075-1028	1	GRIP,LH
46076	46076-1026	1	LEVER-ASSY-GRIP,CLUTC
46091	46091-1214	1	HOUSING-ASSY-CNTRL,RH
46091A	46091-1228	1	HOUSING-ASSY-CNTRL,LH
46092	46092-1024	1	LEVER-GRIP,CLUTCH
56001	56001-1352	1	MIRROR-ASSY,LH
56001A	56001-1353	1	MIRROR-ASSY,RH
59441	59441-1001	1	COVER-HANDLE
92001	92001-1548	1	BOLT,CLUTCH LEVER,BLA
92009	92009-1108	2	SCREW,4X16
92009A	92009-1134	1	SCREW,CABLE ADJUST,8
92015	92015-1191	1	NUT,LOCK,6MM,BLACK
92015A	92015-1197	1	NUT,CABLE ADJUST LOCK
92027	92027-1313	2	COLLAR,4.5X6.5X9.3
92066	92066-1113	2	PLUG,HANDLE END
92072	92072-030	4	BAND,SHORT
110	110C0622	1	BOLT,6X22,BLACK
114	115G0835	4	BOLT,SMALL UPSET
220	220B0535	3	SCREW-PAN-CROS
220A	220B0540	1	SCREW-PAN-CROS
410	410F0600	1	WASHER PLAIN
461	461F0800	4	WASHER SPRING 8MM

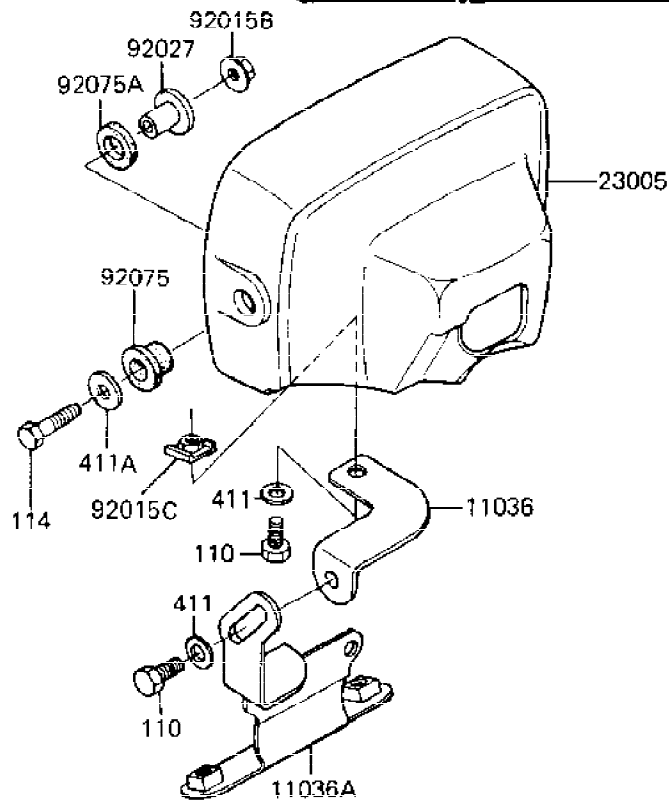
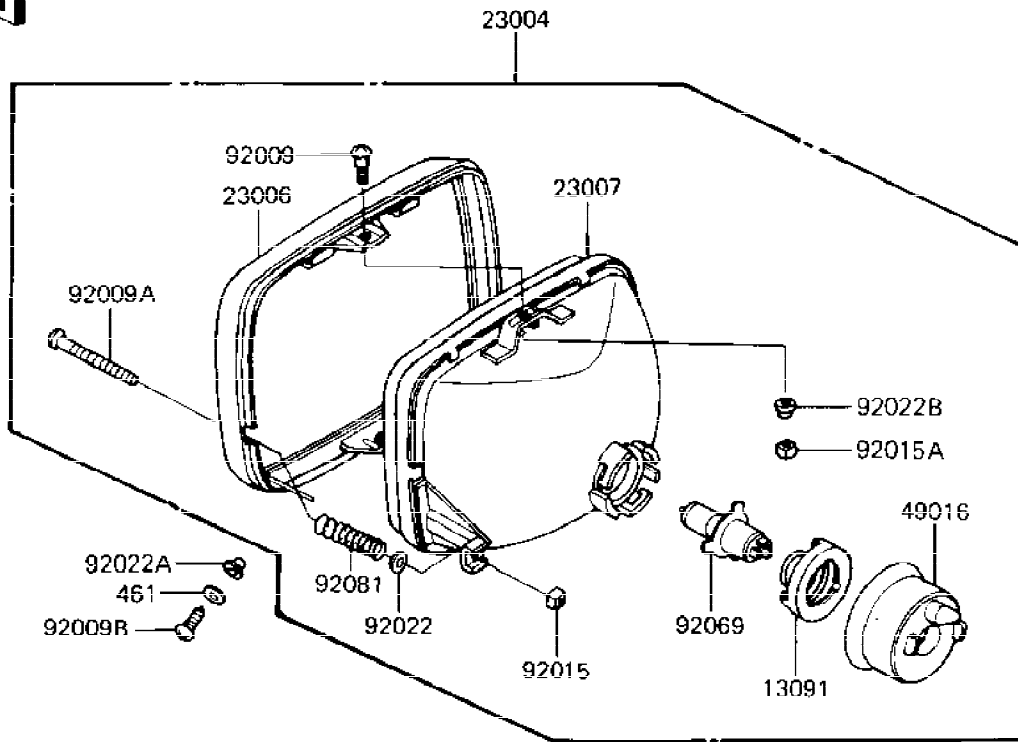


F2310-0270



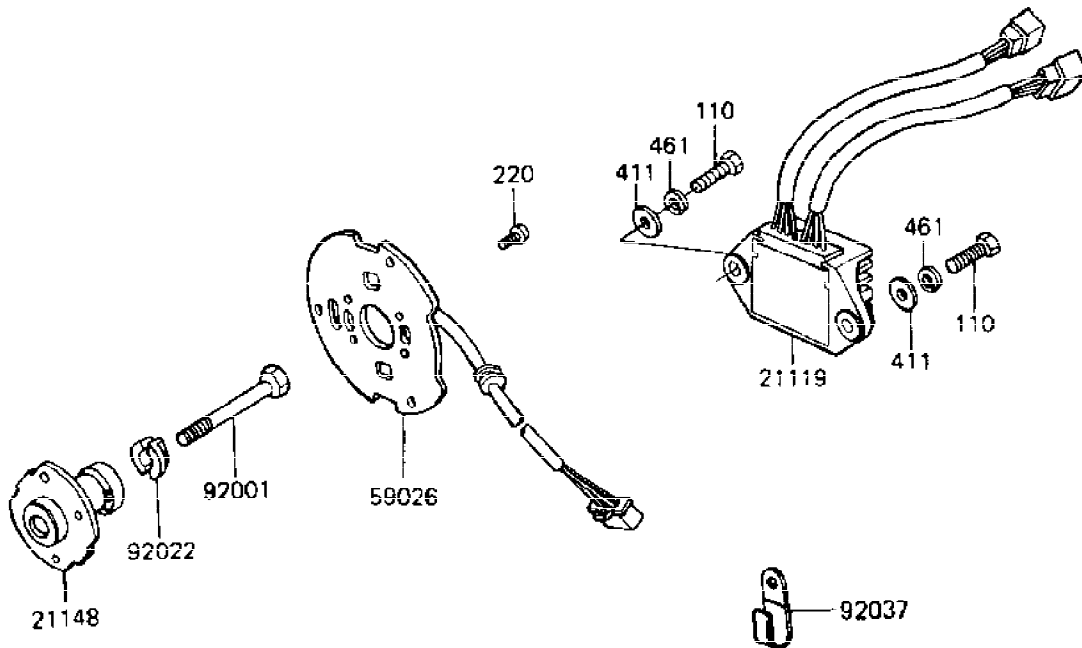
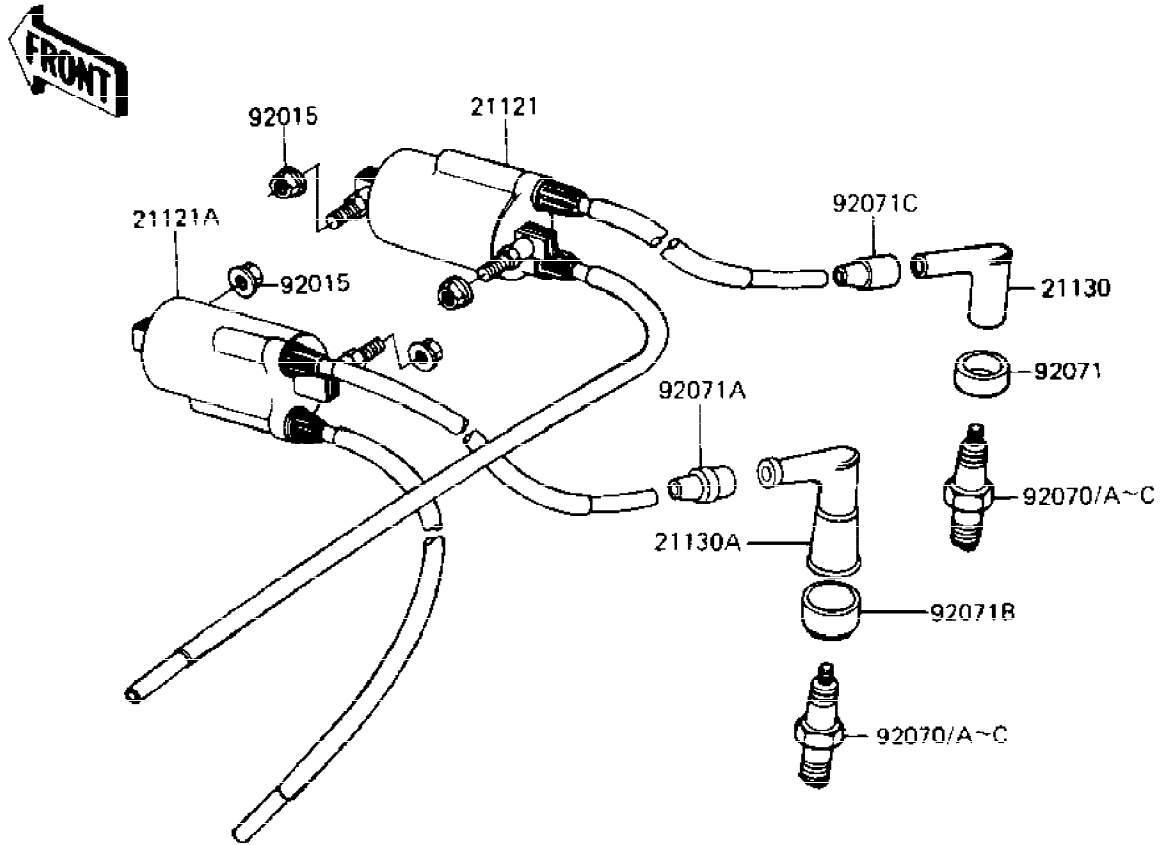
Ref #	Part Number	Qty	Description
13091	13091-1046	1	HOLDER,CLUTCH LEVER
46003	46003-1107	1	HANDLEBAR
46012	46012-1027	2	HOLDER-HANDLE
46019	46019-1021	1	GRIP-ASSY,THROTTLE
46075	46075-1028	1	GRIP,LH
46076	46076-1026	1	LEVER-ASSY-GRIP,CLUTC
46091	46091-1180	1	HOUSING-ASSY-CNTRL,LH
46091A	46091-1238	1	HOUSING-ASSY-CONTROL,
46092	46092-1024	1	LEVER-GRIP,CLUTCH
56001	56001-1352	1	MIRROR-ASSY,LH
56001A	56001-1353	1	MIRROR-ASSY,RH
59441	59441-1011	1	COVER-HANDLE
92001	92001-1548	1	BOLT,CLUTCH LEVER,BLA
92009	92009-1134	1	SCREW,CABLE ADJUST,8
92015	92015-1191	1	NUT,LOCK,6MM,BLACK
92015A	92015-1197	1	NUT,CABLE ADJUST LOCK
92066	92066-1216	4	PLUG,HANDLE HOLDER
92066A	92066-1113	2	PLUG,HANDLE END
92072	92072-030	4	BAND,SHORT
110	110C0622	1	BOLT,6X22,BLACK
120	120S0830	4	BOLT-SOCKET,8X30,BLAC
220	220B0535	3	SCREW-PAN-CROS
220A	220B0540	1	SCREW-PAN-CROS
220B	220C0416	2	SCREW-PAN-CROS
410	410F0600	1	WASHER PLAIN

F2710-0106



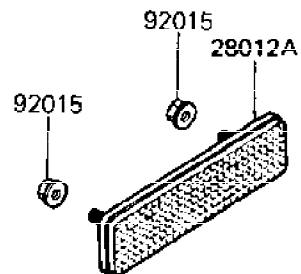
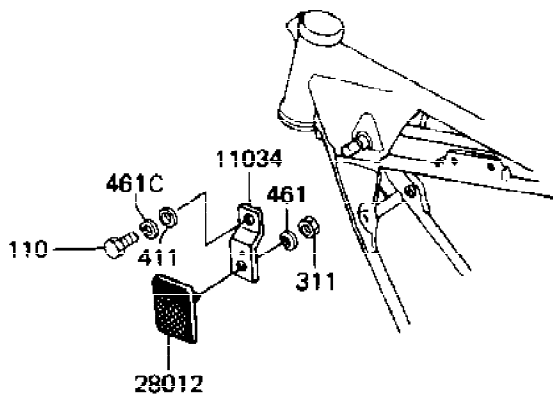
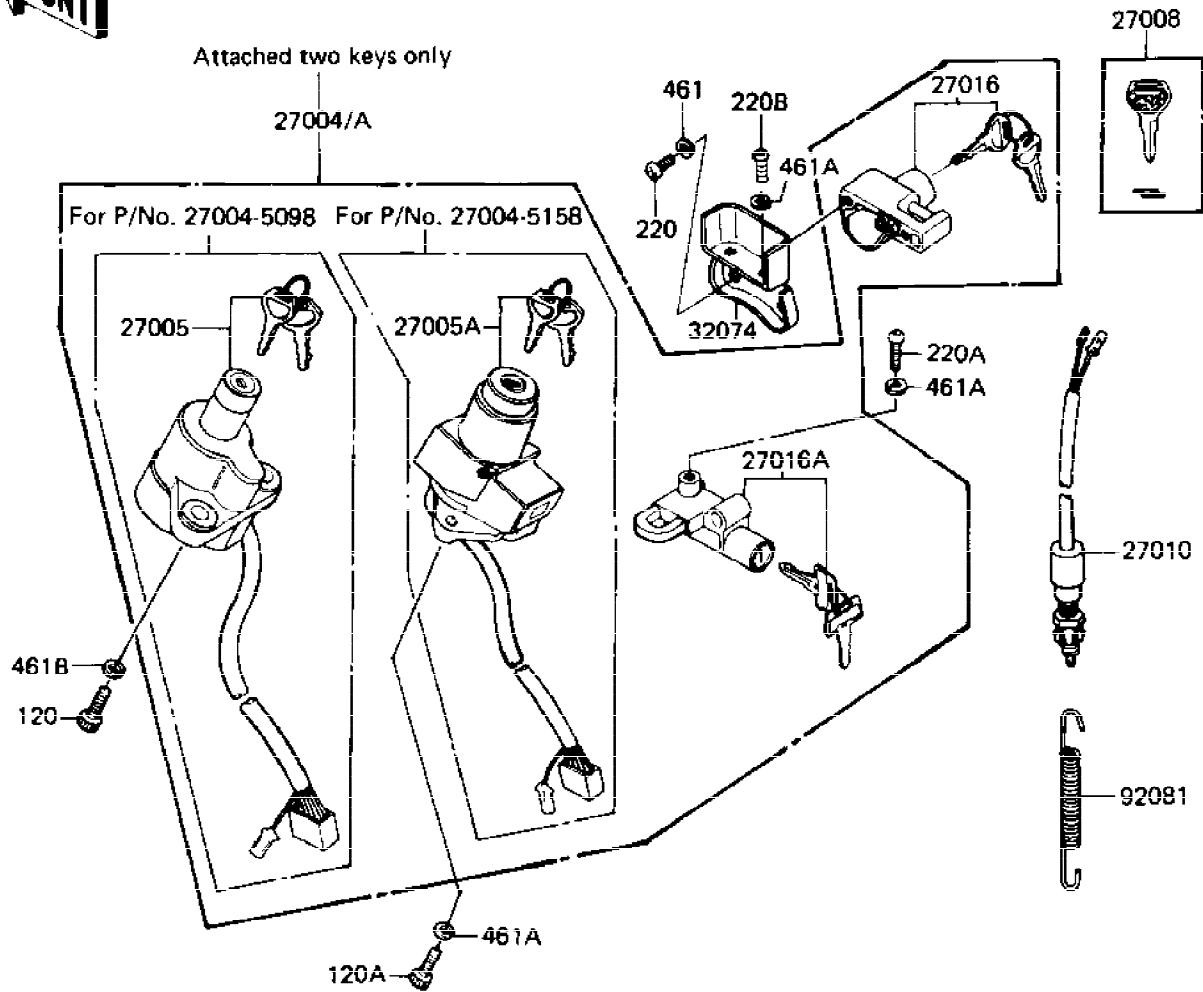
Ref #	Part Number	Qty	Description
11036	11036-1354	1	BRACKET-A,HEAD LAMP,B
11036A	11036-1355	1	BRACKET-A,HEAD LAMP,B
13091	13091-1036	1	HOLDER,HEAD LAMP SOCK
23004	23004-1116	1	LAMP-HEAD
23005	23005-1022-6Z	1	BODY-COMP-HEAD LAMP
23006	23006-1024	1	RIM-LAMP,BLACK
23007	23007-1041	1	LENS-COMP
49016	49016-1023	1	COVER,HEAD LAMP SOCKE
92009	23019-023	2	SCREW-PAN HEAD,5X12
92009A	92009-1047	1	SCREW,HEAD LAMP LENS
92009B	92011-024	1	SCREW-PAN HEAD,5MM
92015	23020-018	1	NUT,4MM
92015A	23020-023	2	NUT,HEAD LAMP RIM FIT
92015B	92015-1014	2	NUT,8M/M
92015C	92015-1050	1	NUT,HEAD LAMP BODY FT
92022	23021-004	1	WASHER
92022A	23021-010	2	WASHER
92022B	23021-012	2	WASHER-PLAIN,5MM
92027	92027-1131	2	COLLAR,HEAD LAMP FITT
92069	92069-1002	1	BULB,12V-60/55W
92075	92075-1109	2	DAMPER,HEAD LAMP FITT
92075A	92075-1110	2	DAMPER,HEAD LAMP FITT
92081	92081-1103	1	SPRING,HEAD LAMP LENS
1110	112B0614	2	BOLT-UPSET 6X14
1114	115C0835	2	BOLT-SMALL-UPSET
411	411B0600	2	WASHER PLAIN 6MM
411A	411F0800	2	WASHER PLAIN
461	461F0500	2	WASHER SPRING 5MM

E1830-0080



Ref #	Part Number	Qty	Description
21119	21119-1041	1	IGNITER
21121	21121-1058	1	UNAVAILABLE IN PRICE BOOK
21121A	21121-1039	1	COIL-IGNITION
21130	21130-1007	2	CAP-SPARK PLUG,RTFM20
21130A	21130-1010	2	CAP-SPARK PLUG
21148	21148-1020	1	GOVERNOR-BREAKER
59026	59026-1012	1	COIL-PULSING
92001	92001-1397	1	BOLT-8X63
92015	92015-1078	4	NUT-6MM
92022	92022-244	1	WASHER,SPARK ADVANCER
92037	21126-008	5	CLAMP,WIRING HARNESS
92070	B8ES	4	SPARK PLUG B8ES US
92070B	BR8ES	4	SPARK PLUG BR8ES CN
92071	21131-004	2	GROMMET-PLUG CAP,A
92071A	21131-005	2	GROMMET,HIGH TENSION
92071B	21131-006	2	GROMMET,PLUG CAP
92071C	21132-005	2	GROMMET,SPARK PLG CAP
110	112G0618	2	BOLT-UPSET
220	220B0512	3	SCREW PAN HEAD 5X12
411	411B0600	2	WASHER PLAIN 6MM
461	461F0600	2	WASHER SPRING 6MM

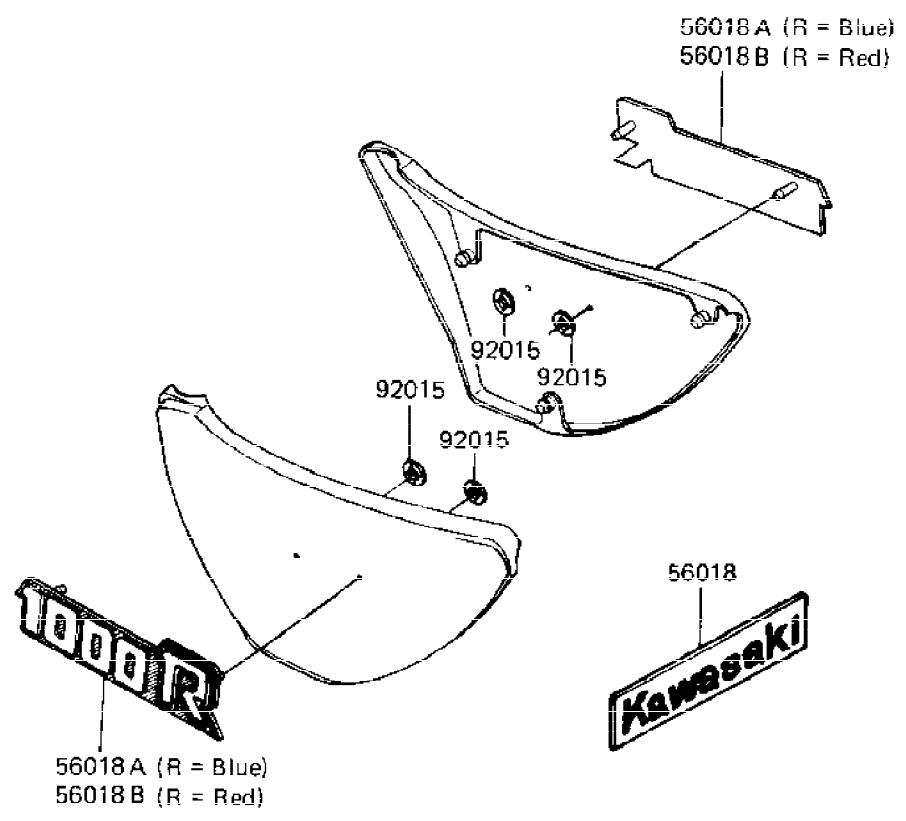
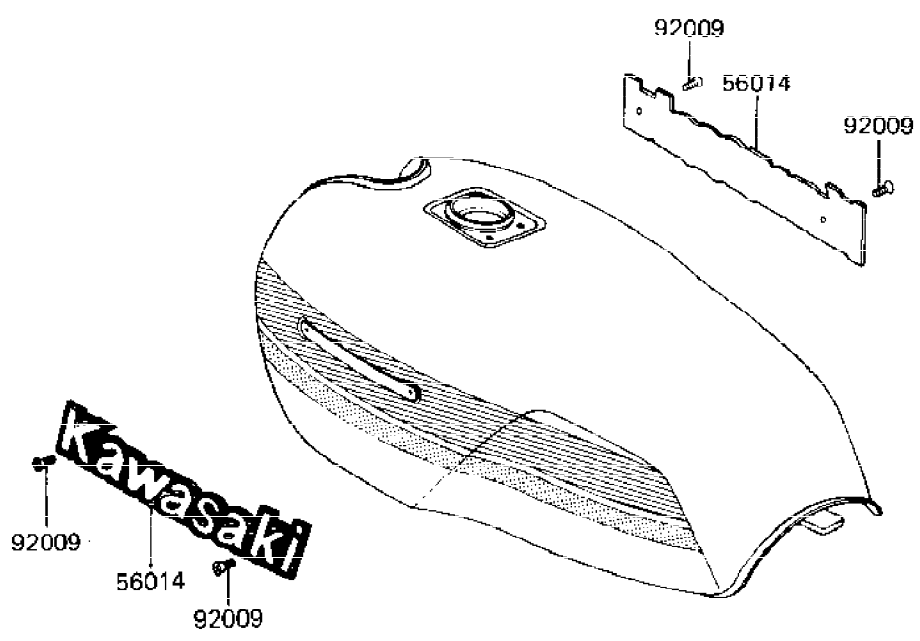
F2770-0198



IGNITION SWITCH/LOCKS/REFLECTORS

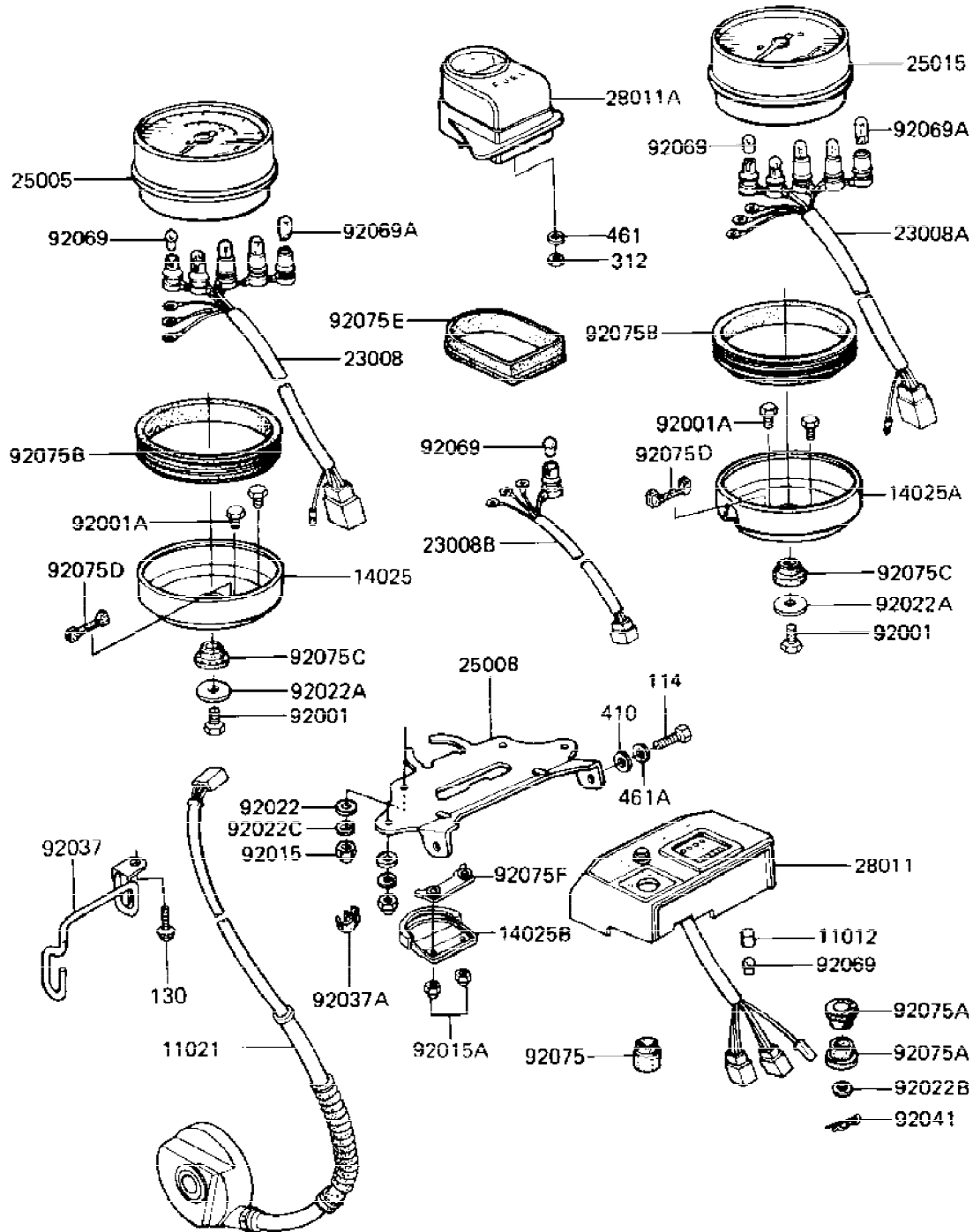
Ref #	Part Number	Qty	Description
11034	11034-1929	2	BRACKET
27004	27004-5098	1	SWITCH-ASSY
27004A	27004-5205	1	SWITCH-ASSY,ALL
27005	27005-5019	1	SWITCH-ASSY-IGNITION
27005A	27005-5035	1	SWITCH-ASSY-IGNITION
27008	27008-1103	1	KEY-LOCK,BLANK (OPTION)
27010	27010-1019	1	SWITCH,BRAKE LAMP
27016	27016-5070	1	LOCK-ASSY,HELMET
27016A	27016-5069	1	LOCK-ASSY,SEAT
28012	28012-1003	2	REFLECTOR,REFLEX(FRON
28012A	28012-1005	1	REFLECTOR,REAR REFLEX
32074	32074-1024	1	BRACKET-LOCK,HELMET L
92015	92015-1259	2	NUT,FLANGED,5MM
92081	92081-1366	1	SPRING,BRAKE SWITCH
110	112C0614	2	BOLT, 6X14, BLACK
120	120P0822	2	BOLT,SOCKET,8X22
120A	120S0616	2	BOLT-SOCKET,6X16,BLAC
220	220B0508	2	SCREW PAN HEAD 5X8
220A	220B0610	1	SCREW PAN HEAD 6X10
220B	220B0612	2	SCREW PAN HEAD 6X12
311	311B0500	2	NUT,5MM
411	411F0600	2	WASHER PLAIN
461	461F0500	4	WASHER SPRING 5MM
461A	461F0600	3	WASHER SPRING 6MM
461A	461F0600	5	WASHER SPRING 6MM
461B	461F0800	2	WASHER SPRING 8MM
461C	461K0600	2	WASHER-SPRING,6MM,BLA

F2860-0213



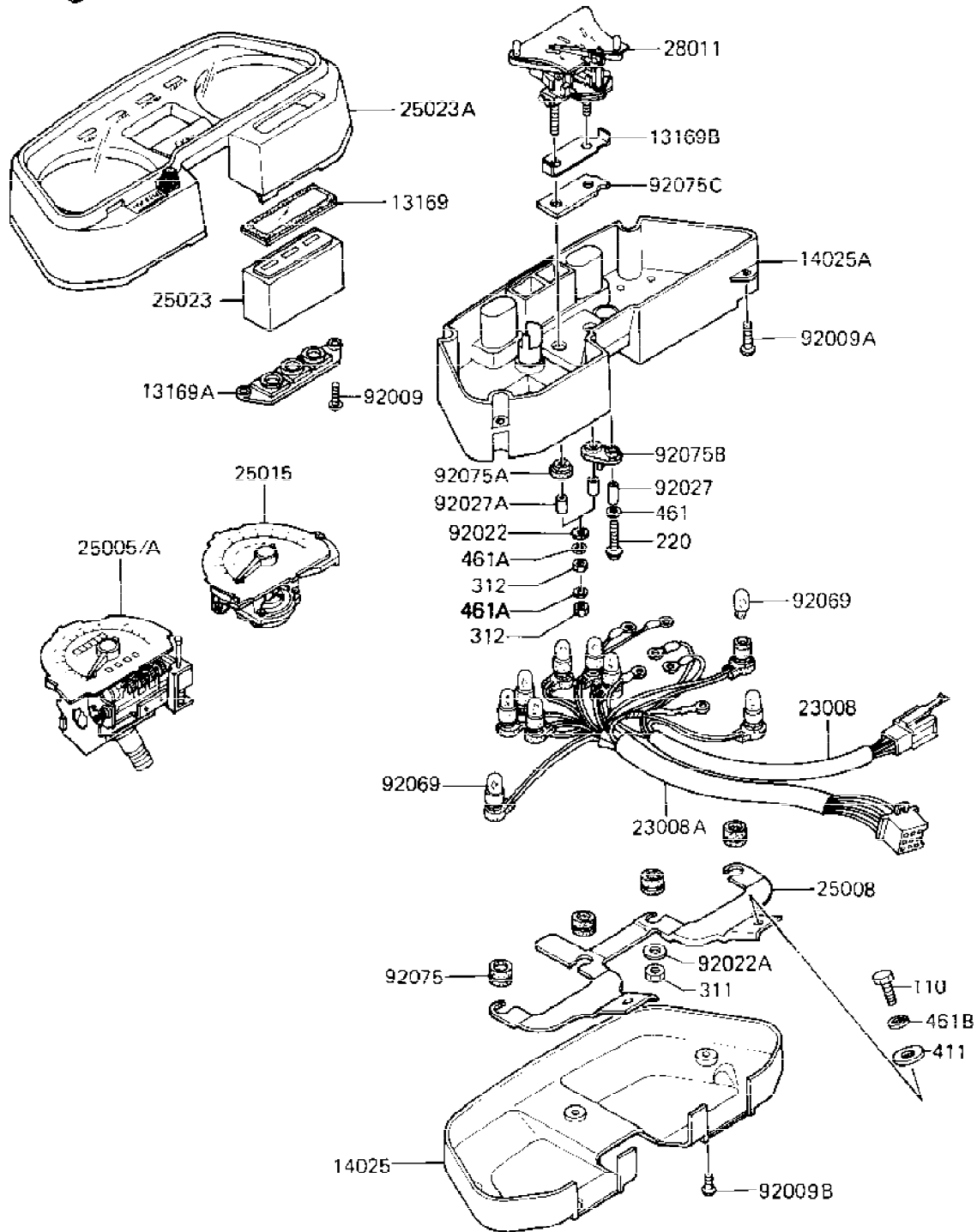
Ref #	Part Number	Qty	Description
56014	56014-1043	2	EMBLEM,FUEL TANK
56018	56018-1208	1	MARK,SEAT COVER
56018A	56018-1314	2	MARK,SIDE COVER,1000R
56018B	56018-1383	2	MARK,SIDE COVER,1000R
92009	221C0306	4	SCREW-CSK-CROS
92015	92018-005	4	NUT,LOCK,3MM

F2530-0155



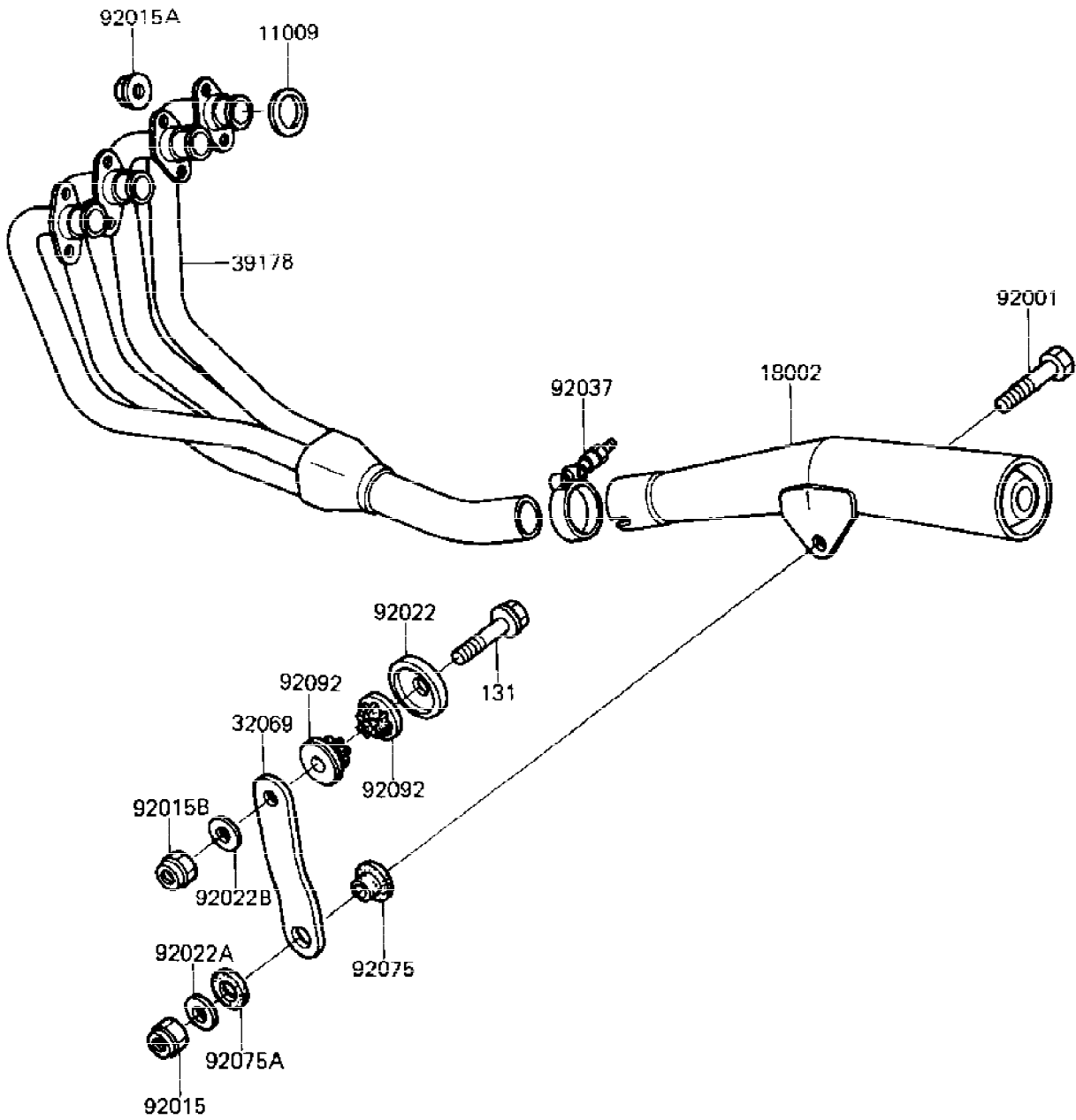
Ref #	Part Number	Qty	Description
11012	11012-1172	1	CAP,BULB,GREEN
11021	11021-1011	1	CASE-ASSY
14025	14025-1344	1	COVER,SPEEDOMETER
14025A	14025-1345	1	COVER,TACHOMETER
14025B	14025-1347	1	COVER,FUEL METER
23008	23008-1090	1	SOCKET-ASSY,SPEEDOMET
23008A	23008-1091	1	SOCKET-ASSY,TACHOMETE
23008B	23008-1092	1	SOCKET-ASSY,FUEL METE
25005	25005-1106	1	SPEEDOMETER,MPH
25008	25008-1034	1	BRACKET-METER
25015	25015-1082	1	TACHOMETER
28011	28011-1011	1	METER,TOTAL & TRIP
28011A	28011-1025	1	METER,FUEL
92001	92001-1442	2	BOLT,6X8
92001A	92003-204	4	BOLT,HEX HEAD,6X14
92015	322C0600	4	NUT-CAP,6MM,BLACK
92015A	92015-1144	2	NUT,CAP,4MM
92022	411F0600	4	WASHER PLAIN
92022A	92022-1248	2	WASHER,6.2X26X1
92022B	92022-263	2	WASHER,PLAIN,6MM
92022C	461K0600	4	WASHER-SPRING,6MM,BLA
92037	92037-1249	3	CLAMP,CASE ASSY,WIRE
92037A	92037-1358	1	CLAMP,CALIPER HOLDER
92041	92041-006	2	PIN,COTER
92069	92069-017	6	BULB 12V 1.5W
92069A	92069-1007	6	BULB,12V3.4W
92075	92075-1286	1	DAMPER
92075A	92075-1300	4	DAMPER,TRIP METER
92075B	92075-1315	2	DAMPER,METER
92075C	92075-1316	2	DAMPER
92075D	92075-1317	2	DAMPER
92075E	92075-1318	1	DAMPER,FUEL METER
92075F	92075-1319	1	DAMPER
114	115G0818	2	BOLT-SMALL-UPSET,8X18
130	130B0608	1	BOLT,FLANGED,6X8
312	312B0300A	3	NUT-HEX
410	410B0800	2	WASHER PLAIN 8MM
461	461F0300	3	WASHER SPRING 3MM
461A	461F0800	2	WASHER SPRING 8MM

F2530-0213



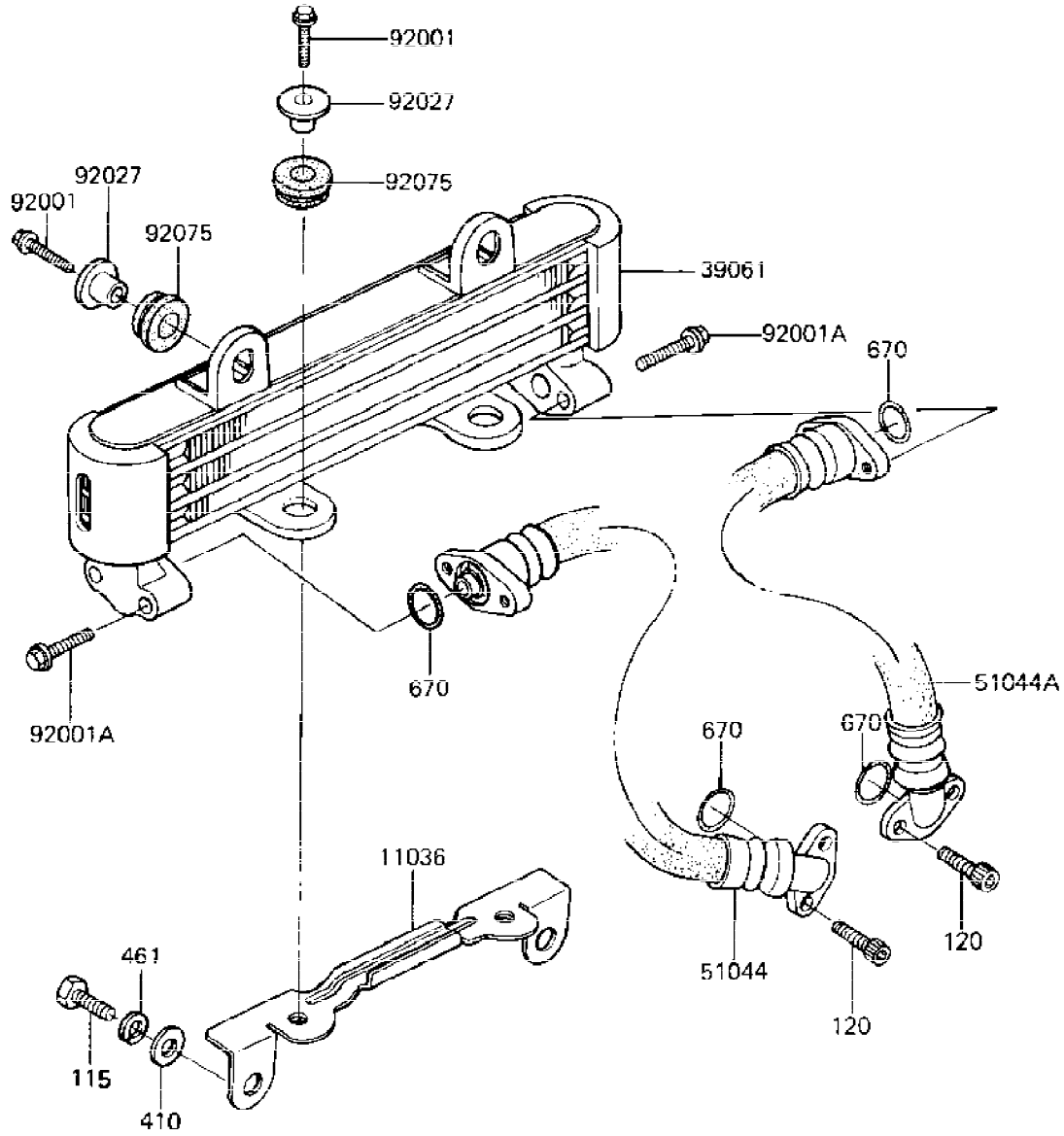
Ref #	Part Number	Qty	Description
13169	13169-1508	1	PLATE,PILOT BOX
13169A	13169-1556	1	PLATE,BULB SOCKET
13169B	13169-1593	1	PLATE,FUEL METER
14025	14025-1473	1	COVER,METER,LWR
14025A	14025-1600	1	COVER,METER UNIT
23008	23008-1178	1	SOCKET-ASSY,FUEL&OIL
23008A	23008-1181	1	SOCKET-ASSY,METER
25005	25005-1180	1	SPEEDOMETER,KPH (Canada) CN
25005A	25005-1221	1	SPEEDOMETER,MPH US
25008	25008-1058	1	BRACKET-METER
25015	25015-1141	1	TACHOMETER,X1000RPM
25023	25023-1051	1	COVER-METER CASE.PILO
25023A	25023-1056	1	COVER-METER CASE,UPP
28011	28011-1032	1	METER,FUEL
92009	92009-1140	2	SCREW,TAPPING,4X14
92009A	92009-1141	4	SCREW,TAPPING,4X20
92009B	92009-1142	3	SCREW,TAPPING,4X12
92022	92022-1394	2	WASHER,4.5X10X0.8
92022A	92022-263	2	WASHER,PLAIN,6MM
92027	92027-1563	1	COLLAR,5.5X11
92027A	92027-1564	2	COLLAR,6X8.5
92069	92069-1007	10	BULB,12V3.4W
92075	92075-1385	4	DAMPER,METER BRACKET
92075A	92075-1453	1	DAMPER,FUEL METER
92075B	92075-1454	1	DAMPER,FUEL METER
92075C	92075-1455	1	DAMPER,FUEL METER
1110	112B0614	2	BOLT-UPSET 6X14
220	220B0316	1	SCREW-PAN-CROS
311	311B0500	2	NUT,5MM
312	312B0400	4	NUT-HEX
411	411B0600	2	WASHER PLAIN 6MM
461	461F0300	1	WASHER SPRING 3MM
461A	461F0400	4	WASHER SPRING 4MM
461B	461F0600	2	WASHER SPRING 6MM

E1140-0164



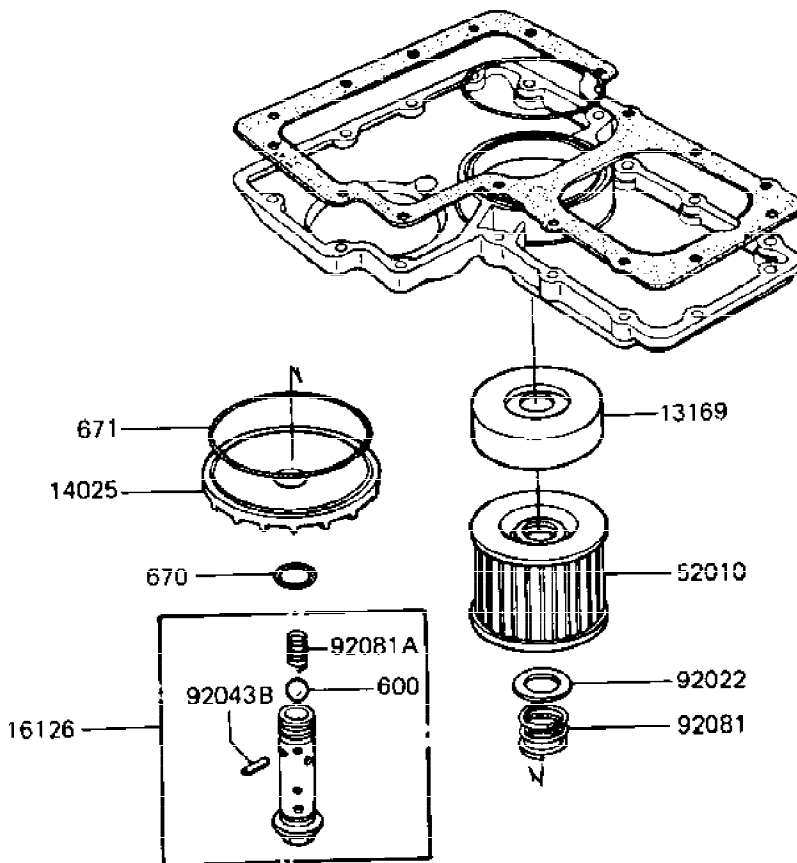
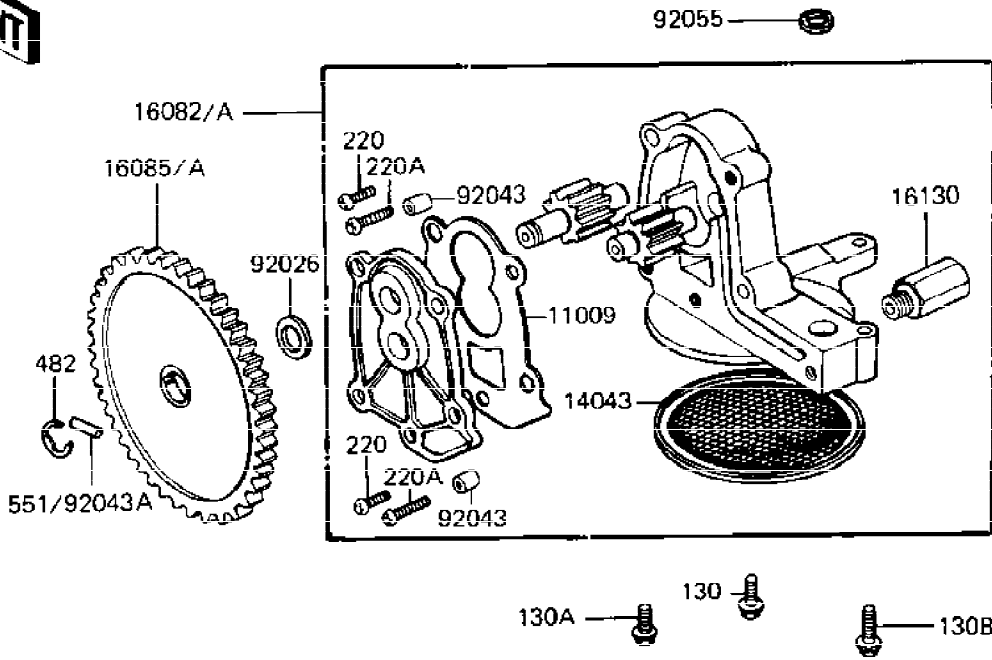
Ref #	Part Number	Qty	Description
11009	11009-1906	4	GASKET,EXHAUST PIPE H
18002	18002-1284	1	BODY-COMP-MUF 6064
32069	32069-1119	1	BRACKET-MUF 440-53-45
39178	39178-1016	1	MANIFOLD-COMP-5472
92001	92001-1713	1	BOLT 16X24 031-09-17
92015	92015-1225	1	NUT 5/16 050-05-05
92015A	92015-1302	8	NUT,LOCK,8MM,BLACK
92015B	92019-021	1	NUT,LOCK,10MM
92022	92022-1313	1	WASHER,CUP TYPE,BLACK
92022A	92022-1363	1	WASHER 5/16 041-13-10
92022B	92022-1364	1	WASHER 3/8 041-15-15
92037	92037-1354	1	CLAMP-MUF 440-50-05
92075	92075-1406	1	DAMPER-MUF 440-50-06
92075A	92075-1407	1	DAMPER-MUF 440-50-07
92092	92092-1013	2	BUSHING-RUBBER
131	131J1055	1	BOLT-FLANGED,10X55

E3034-0004



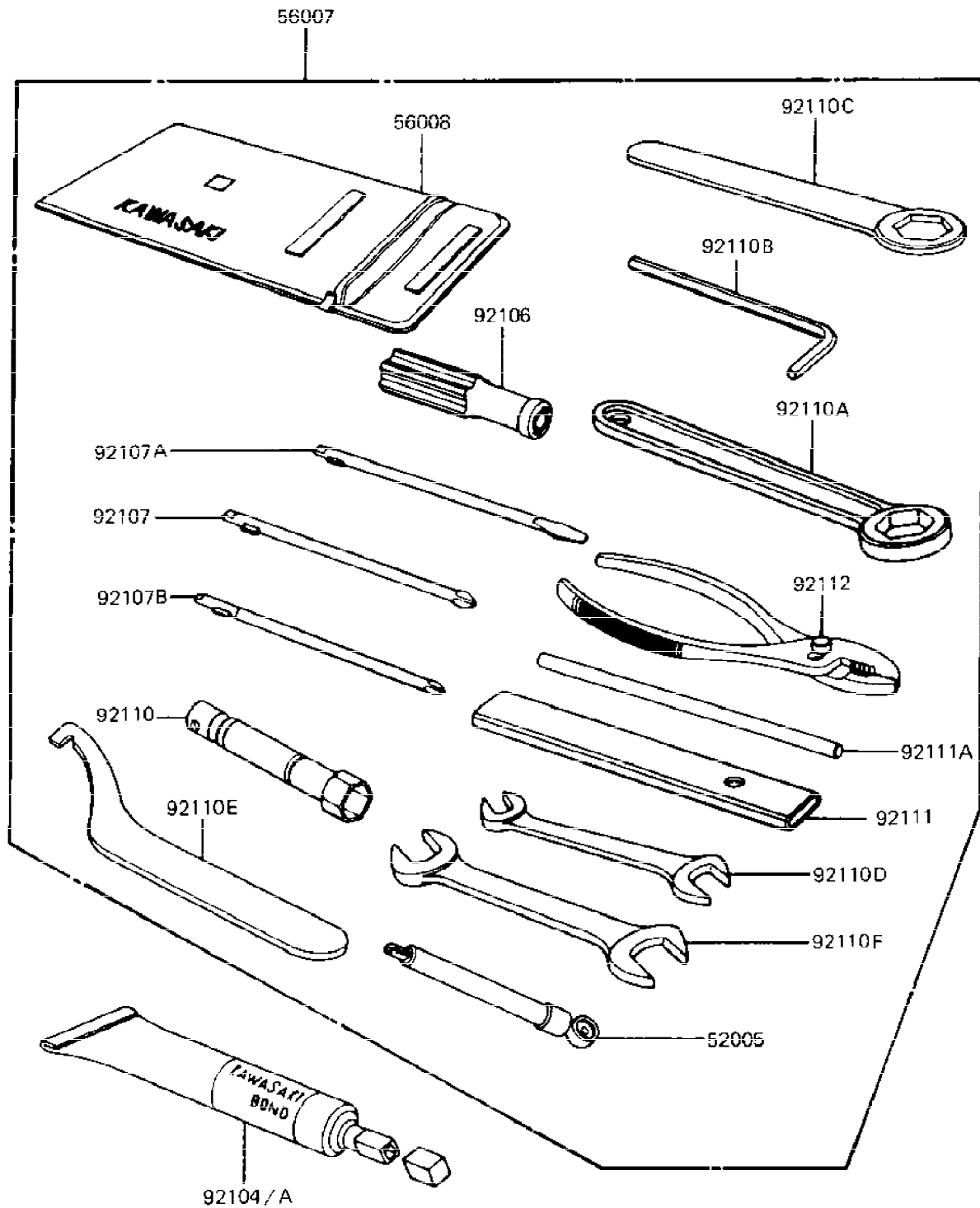
Ref #	Part Number	Qty	Description
11036	11036-1508	1	BRACKET-A,OIL COOLER
39061	39061-1006-10	1	EXCHANGER-ASSY-HEAT
51044	51044-1030	1	TUBE-ASSY,OIL COOLER
51044A	51044-1031	1	TUBE-ASSY,OIL COOLER
92001	130J0620	4	BOLT-FLANGED,6X20
92001A	92001-1467	4	BOLT,FLANGED,6X25,BLK
92027	92027-1651	4	COLLAR,FLANGED,L=12.1
92075	92075-277	4	DAMPER RUBBER
115	115C0816	2	BOLT-SMALL,8X16,BLACK
120	120S0616	4	BOLT-SOCKET,6X16,BLAC
410	92022-1554	2	WASHER,PLAIN,8MM
461	461K0800	2	WASHER-SPRING,8MM,BLA
670	670D2014	4	O RING,14MM

E1710-0052



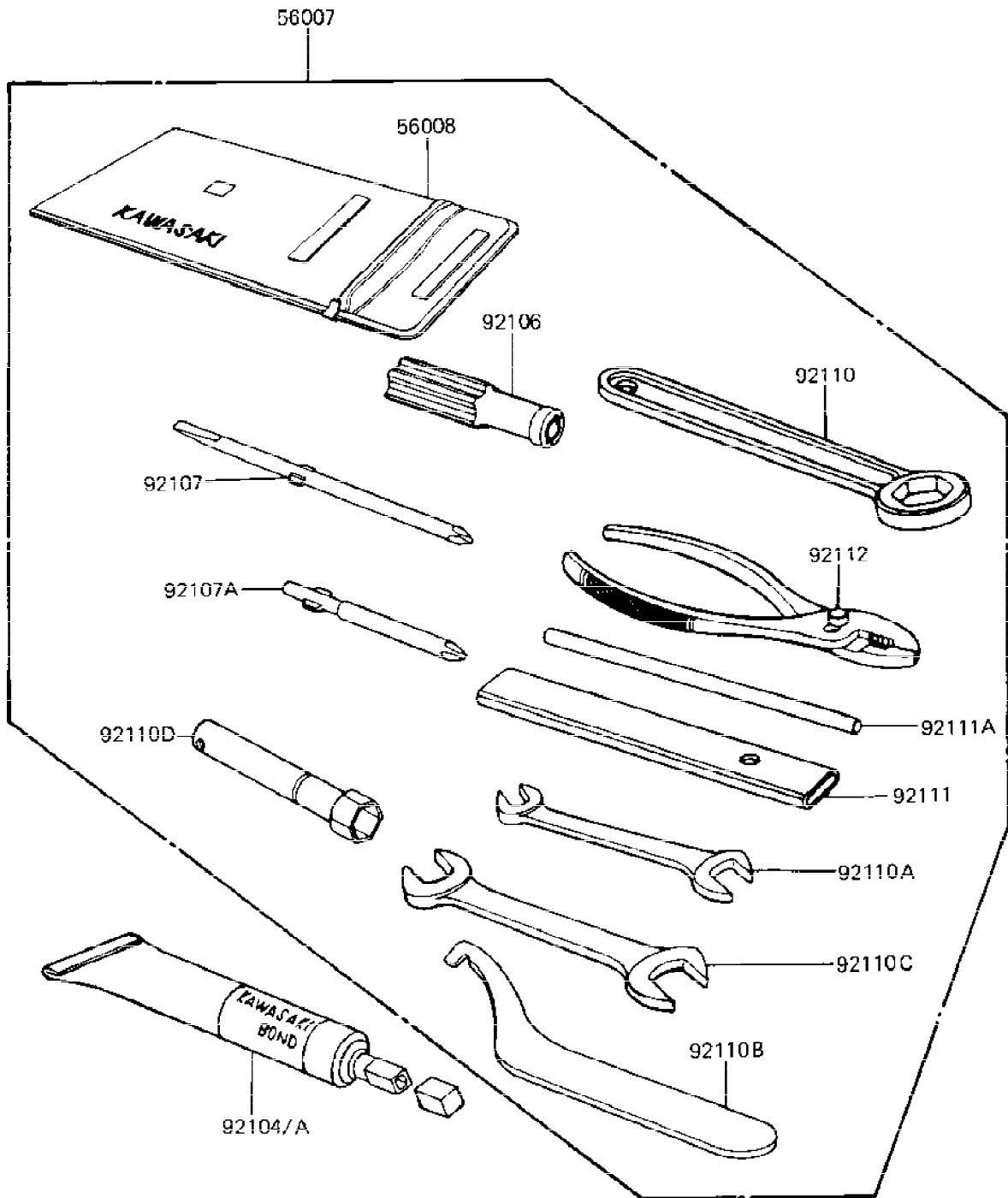
Ref #	Part Number	Qty	Description
11009	11009-1029	1	GASKET,OIL PUMP
13169	13169-1313	1	PLATE,OIL FILTER
14025	16101-004	1	COVER,OIL FILTER
14043	16111-004	1	STRAINER,OIL PUMP
16082	16082-5002	1	PUMP-ASSY-OIL
16082A	16082-1031	1	PUMP-ASSY-OIL
16085	16085-019	1	GEAR,OIL PUMP 49T
16085A	16085-1038	1	GEAR,OIL PUMP,49T
16126	16126-1108	1	VALVE,OIL FILTER
16130	16130-1001	1	RELEAF VALVE ASSY
52010	16099-003	1	FILTER,OIL
92022	92022-1012	1	WASHER,20.5X30X1.0
92026	92026-080	1	WASHER,LOCK,16MM
92043	92043-1302	2	PIN,DOWEL,8X10
92043A	92042-042	1	PIN,GEAR CHANGE DRUM
92043B	92043-111	1	SPRING PIN
92055	92055-048	1	O RING,0.D=18MM
92081	92081-1018	1	SPRING,OIL FILTER
92081A	92081-109	1	SPRING
130	130G0625	1	BOLT,FLANGED,6X25
130A	130H0635	1	BOLT,FLANGED,6X35
130B	130G0645	1	BOLT,FLANGED,6X45
220	220B0618	4	SCREW PAN HEAD 6X18
220A	220B0628	2	SCREW PAN HEAD 6X28
482	482K7000	1	CIRCLIP,7MM
551	551A0314	1	PIN,DOWEL,3X14
600	600A1200	1	BALL STEEL 3/8'
670	670B2016	1	"0" RING,16MM
671	671B2590	1	"0" RING,90MM

F2810-0080



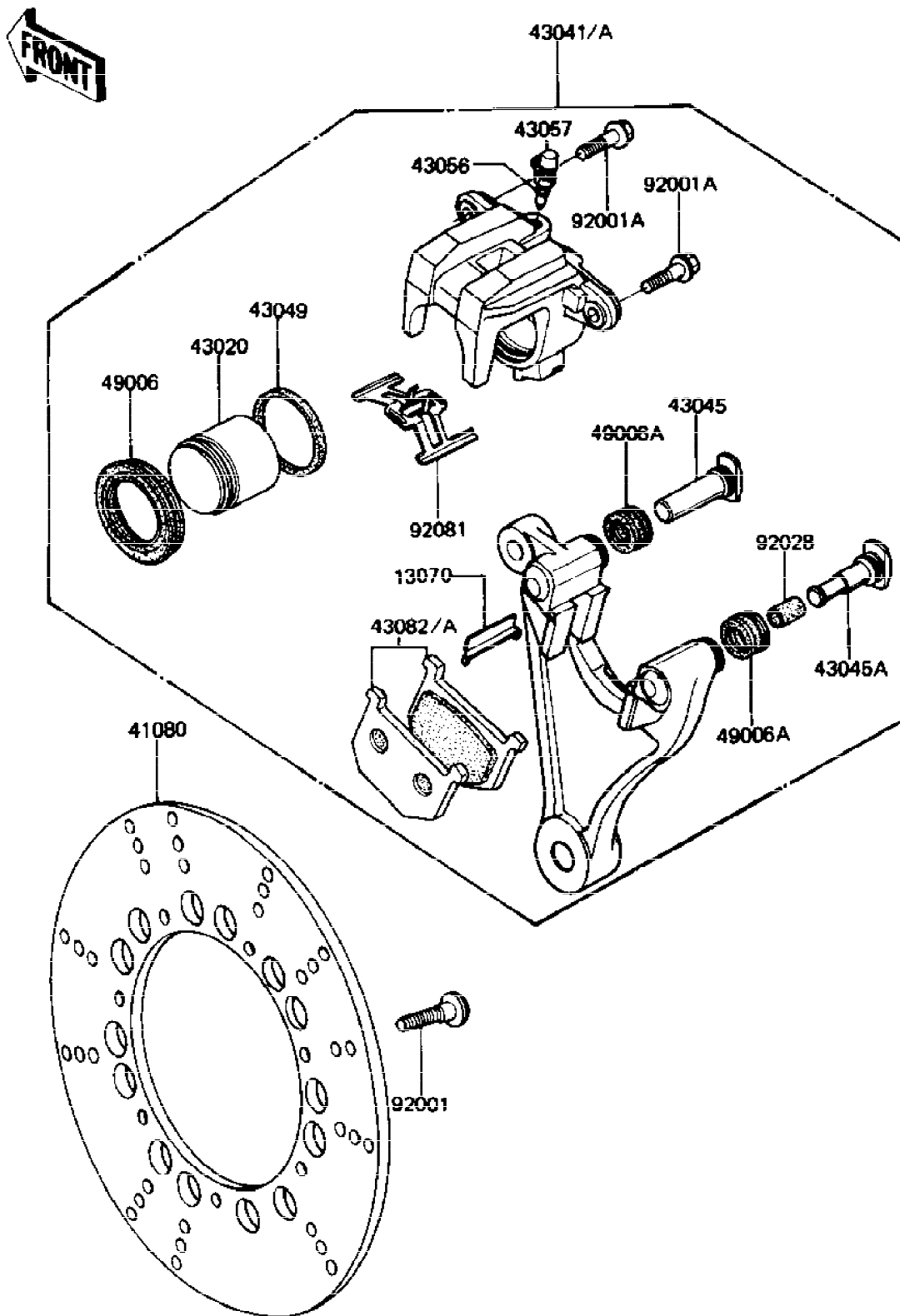
Ref #	Part Number	Qty	Description
52005	52005-4002	1	GAUGE,AIR
56007	56007-1151	1	TOOL KIT
56008	56008-006	1	BAG,TOOL
92104	92104-002	1	LIQUID GASKET
92104A	92104-1003	1	GASKET-LIQUID,BLACK
92106	92106-1001	1	GRIP,SCREW DRIVER
92107	92107-007	1	92107-1052 (Canada)
92107A	92107-007	1	92107-1052 (Canada)
92107B	92107-008	1	92107-1002 (Canada)
92110	92108-008	1	WRENCH,SPARK PLUG
92110A	92110-1147	1	TOOL-WRENCH,BOX END,2
92110B	92110-1015	1	WRENCH,ALLEN
92110C	92110-1148	1	TOOL-WRENCH,BOX END,2
92110D	92110-1038	1	TOOL-WRENCH,OPEN END
92110E	92110-1043	2	TOOL-WRENCH,HOOK
92110F	92110-1153	1	TOOL-WRENCH,OPEN END,
92111	92111-004	1	TOOL-WRENCH,OPEN END,
92111A	92111-005	1	BAR,SPARK PLUG WRENCH
92112	92112-003	1	PLIERS,160MM

F2810-0148



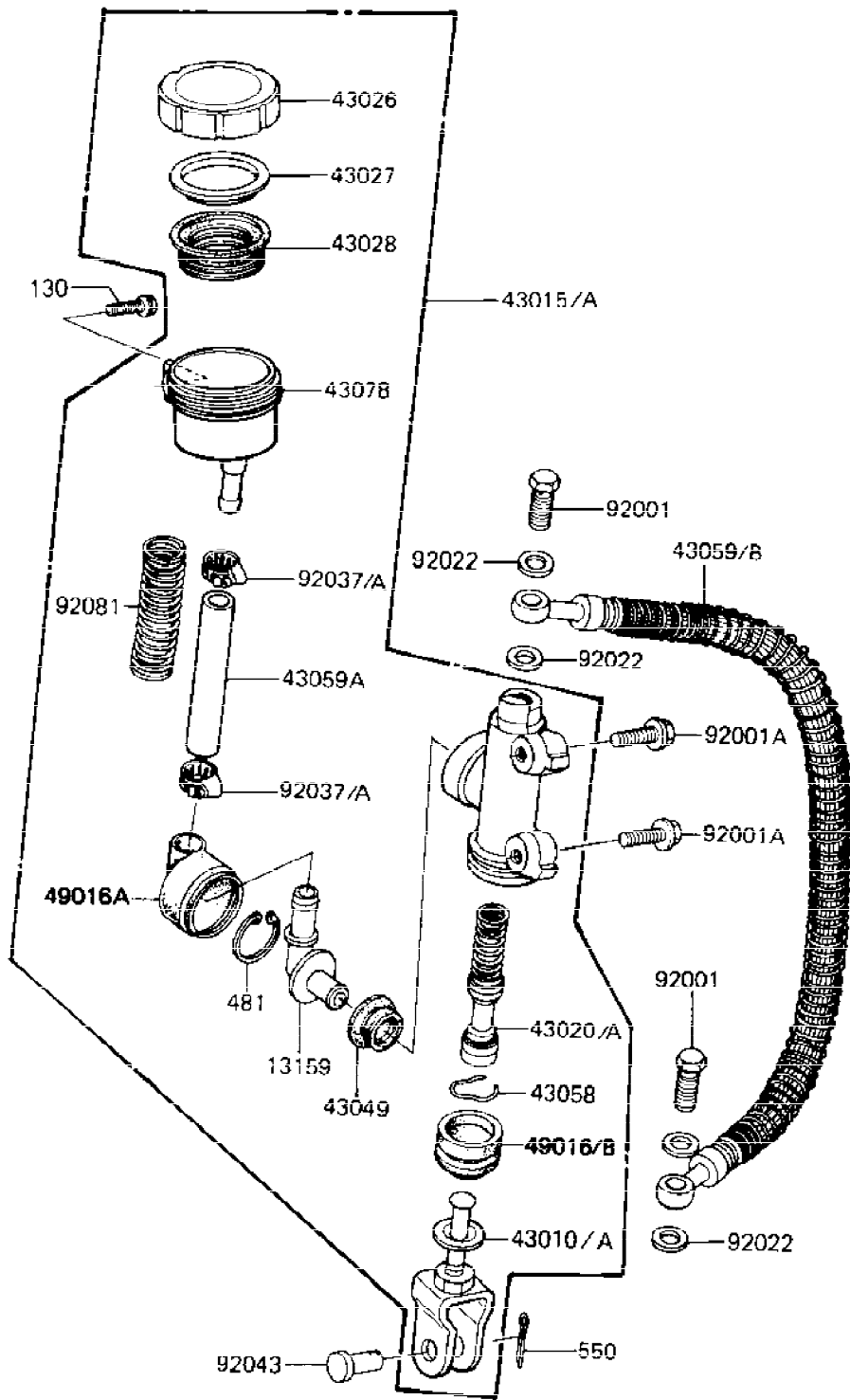
Ref #	Part Number	Qty	Description
56007	56007-1173	1	TOOLKIT
56008	56008-006	1	BAG,TOOL
92104	92104-002	1	LIQUID GASKET
92104A	92104-1003	1	GASKET-LIQUID,BLACK
92106	92106-1001	1	GRIP,SCREW DRIVER
92107	92107-1052	1	TOOL-DRIVER
92107A	92107-1002	1	TOOL-DRIVER,#3PHILLIP
92110	92110-1147	1	TOOL-WRENCH,BOX END,2
92110A	92110-1038	1	TOOL-WRENCH,OPEN END
92110B	92110-1043	2	TOOL-WRENCH,HOOK
92110C	92110-1153	1	TOOL-WRENCH,OPEN END,
92110D	92108-008	1	WRENCH,SPARK PLUG
92111	92111-004	1	WRENCH,SPARK PLUG
92111A	92111-005	1	BAR,SPARK PLUG WRENCH
92112	92112-003	1	PLIERS,160MM

F2294-0010



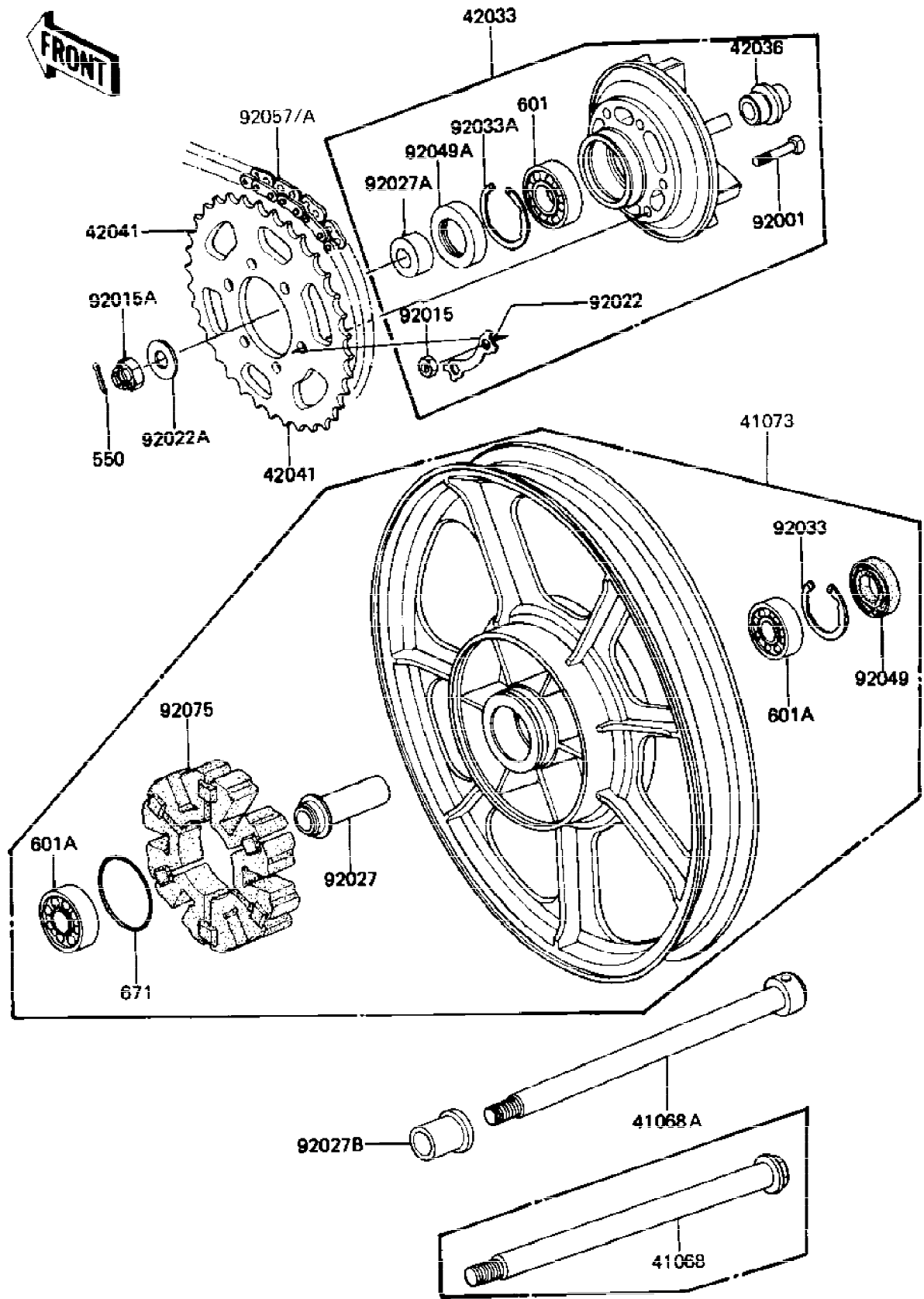
Ref #	Part Number	Qty	Description
13070	13070-1026	2	GUIDE,PAD
41080	41080-1128	1	DISC,RR,SILVER
43020	43020-1096	1	PISTON-COMP-BRAKE
43041	43041-1061	1	CALIPER-ASSY,REAR
43041A	43041-1115	1	CALIPER-ASSY,RR
43045	43045-1007	1	SHAFT,CALIPER
43045A	43045-1008	1	SHAFT,CALIPER
43049	43049-002	1	RING,PISTON SEAL
43056	43056-003	1	BREEDER
43057	43057-003	1	CAP,BREEDER
43082	43082-1022	1	PAD-ASSY,RR
43082A	43082-1025	1	PAD-ASSY-BRAKE
49006	49006-1043	1	DUST SEAL,PISTON
49006A	49006-1044	2	DUST SEAL
92001	92001-1951	7	BOLT,SOCKET,8X30
92001A	92001-1510	2	BOLT,FLANGED,8X25,BLA
92028	92028-1090	1	BUSHING,SHAFT CALIPER
92081	92081-1229	1	SPRING,PAD

F2293-0045



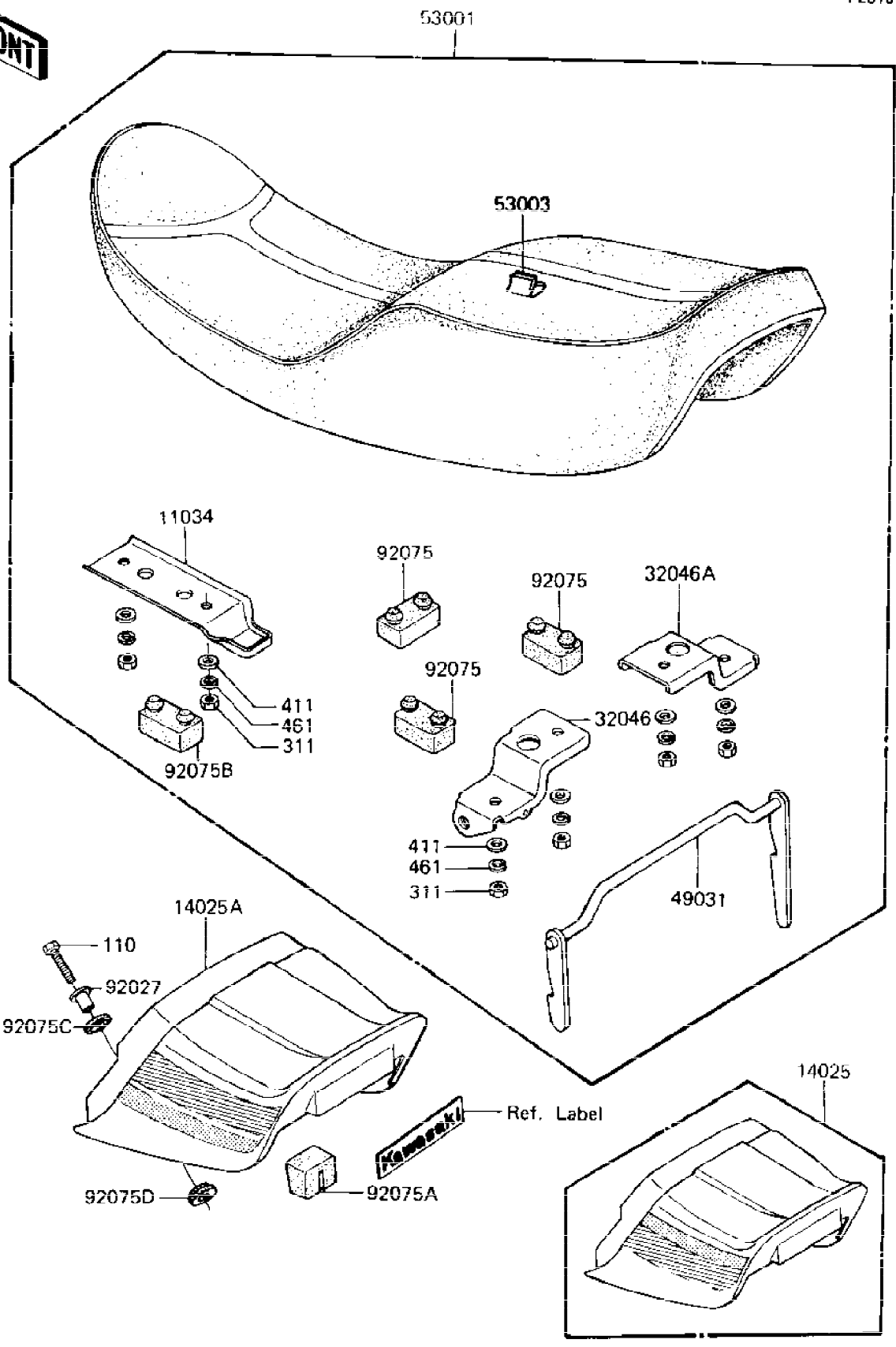
Ref #	Part Number	Qty	Description
13159	13159-1009	1	CONNECTOR
43010	43010-1004	1	ROD ASSY,BRAKE
43010A	43010-5006	1	ROD-ASSY-BRAKE,RR
43015	43015-1091	1	CYLINDER-ASSY-MASTER
43015A	43015-1145	1	CYLINDER-ASSY-MASTER
43020	43020-1019	1	PISTON ASSY
43020A	43020-1035	1	PISTON-COMP-BRAKE
43026	43026-1016	1	CAP-BRAKE
43027	43027-1005	1	PLATE,DIAPHRAGM
43028	43028-1016	1	DIAPHRAGM
43049	43049-1008	1	PACKING
43058	43058-004	1	RING,DUST SEAL
43059	43059-1180	1	HOSE-BRAKE
43059A	43059-1096	1	HOSE-BRAKE
43059B	43059-1186	1	HOSE-BRAKE,L=415
43078	43078-1009	1	RESERVOIR
49016	49016-1031	1	DUST COVER
49016A	49016-1034	1	COVER-SEAL
49016B	49016-1048	1	COVER-SEAL,BRAKE PIST
92001	92002-1888	2	BOLT,OIL,L=23
92001A	92001-1508	2	BOLT,FLANGED,8X28,BLA
92022	43067-001	4	WASHER-OIL BOLT
92037	92037-1154	2	CLAMP,BRAKE HOSE
92037A	92037-1386	2	CLAMP,BRAKE HOSE
92043	92043-1013	1	PIN
92081	92081-1335	1	SPRING HOSE PROTECTOR
130	130B0620	1	BOLT,FLANGED,6X20
481	481J2500	1	CIRCRIP-TYPE-C
550	550D2015	1	PIN COTTER 2.0X15

F2240-0133



Ref #	Part Number	Qty	Description
41068	41068-1087	1	AXLE,RR,L=300
41068A	41068-1087	1	AXLE,RR,L=300
41073	41073-1141-F6	1	WHEEL ASSY,RR,SOLID,G
42033	42033-1048	1	COUPLING-ASSY,F.BLACK
42036	42036-1039	1	SLEEVE,L=33
42041	42041-1098	1	SPROCKET-HUB,41T,BLAC
92001	92001-161	6	BOLT
92015	42045-005	6	NUT 10MM
92015A	42045-018	1	NUT CASTLE,18MM
92022	92022-1212	3	WASHER,LOCK
92022A	92022-248	1	WASHER,PLAIN,20MM
92027	92027-1286	1	COLLAR,L=89.5
92027A	92027-1287	1	COLLAR,20X40X18
92027B	92027-1288	1	COLLAR,L=31
92033	92033-1043	1	RING,SNAP,56.2M/M
92033A	92033-1044	1	CIRCLIP,62M/M
92049	92049-1061	1	SEAL-OIL
92049A	92050-027	1	OIL SEAL
92057	92057-1053	1	DR CHAIN 630X96
92057A	92057-1152	1	DR CHAIN EK630 98L
92075	42014-033	1	SHOCK DAMPER,REAR HUB
550	550D4035	1	PIN-COTTER,4.0X35
601	601B6206	1	BALL BEARING,#6206
601A	601B6304Z2	2	UNAVAILABLE IN PRICE BOOK
671	671B2565	1	"O" RING,65MM

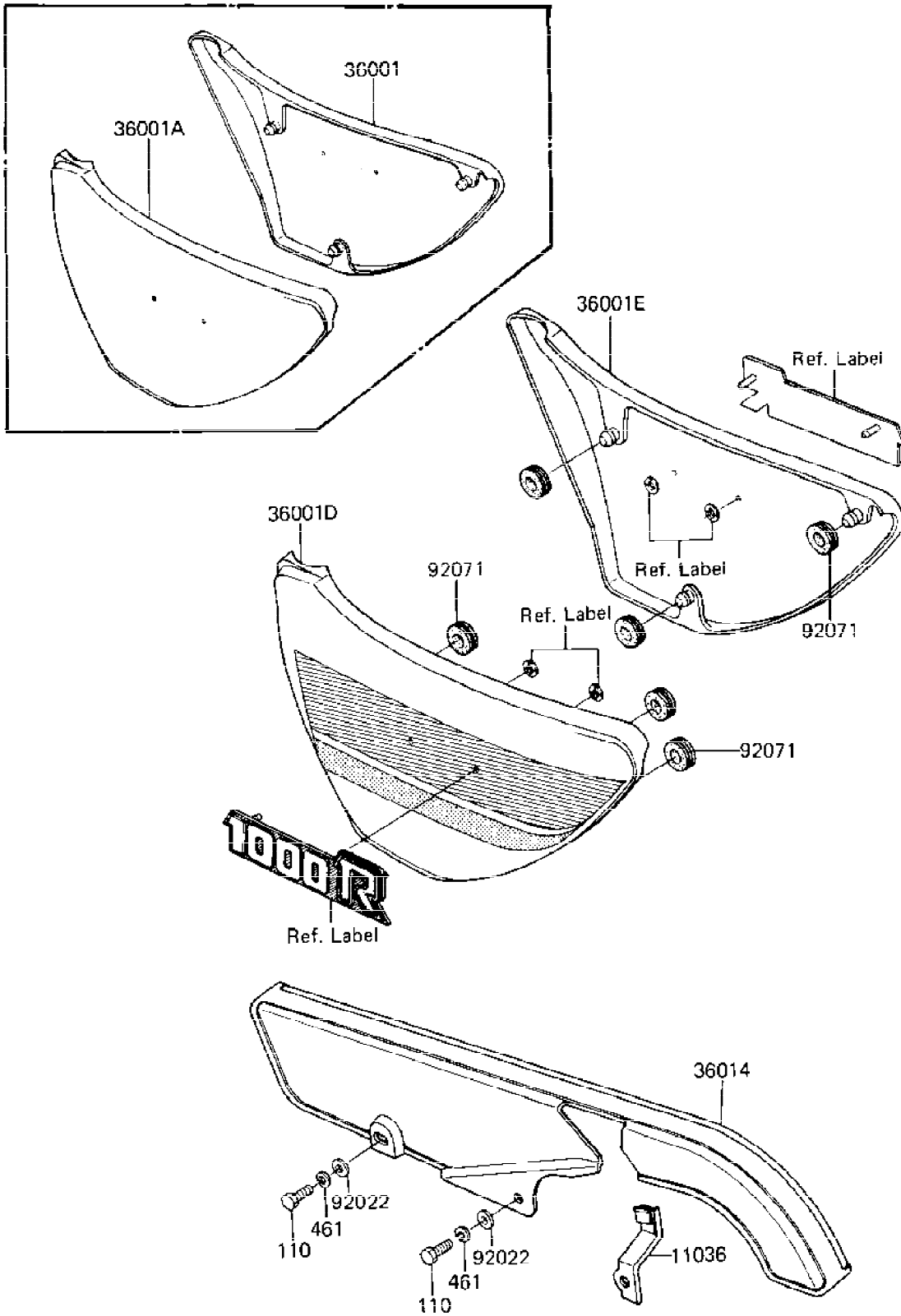
F2510-0214



Ref #	Part Number	Qty	Description
11034	11034-1868	2	BRACKET,SEAT,FR
14025	14025-1267	1	UNAVAILABLE IN PRICE BOOK
14025A	14025-5104-7F	1	COVER,SEAT,L.GREEN
32046	32046-1089	1	BRACKET-SEAT,LH
32046A	32046-1090	1	BRACKET-SEAT,RH
49031	49031-1006	1	LATCH,SEAT
53001	53001-1234	1	SEAT-ASSY
53003	53003-1040	1	LEATHER,SEAT
92027	92027-251	2	COLLAR
92075	92075-1276	3	DAMPER,SEAT,RR
92075A	92075-1313	1	DAMPER,SEAT
92075B	92075-139	2	DAMPER RUBBER,SEAT
92075C	92075-174	2	RUBBER,FENDER COVER
92075D	92075-175	2	DAMPER RUBBER
110	112G0620	2	BOLT-UPSET,6X20
311	311B0600	8	NUT 6MM
411	411B0600	8	WASHER PLAIN 6MM
461	461F0600	8	WASHER SPRING 6MM

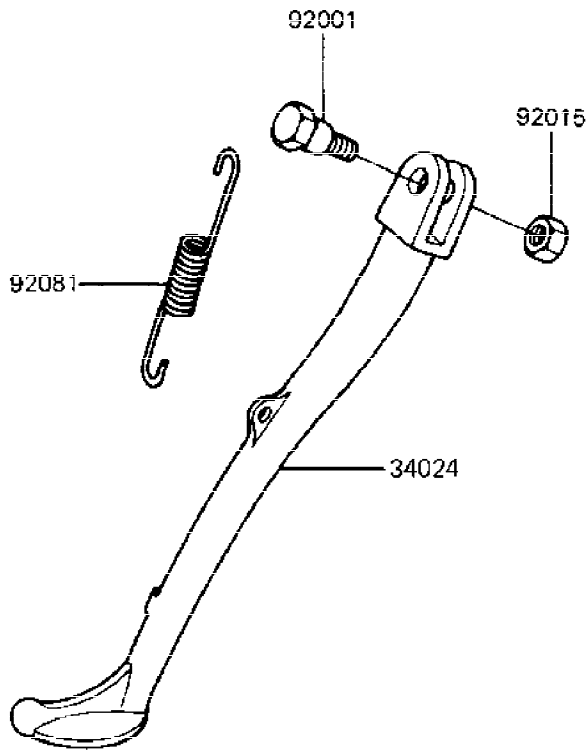


F2610-0209



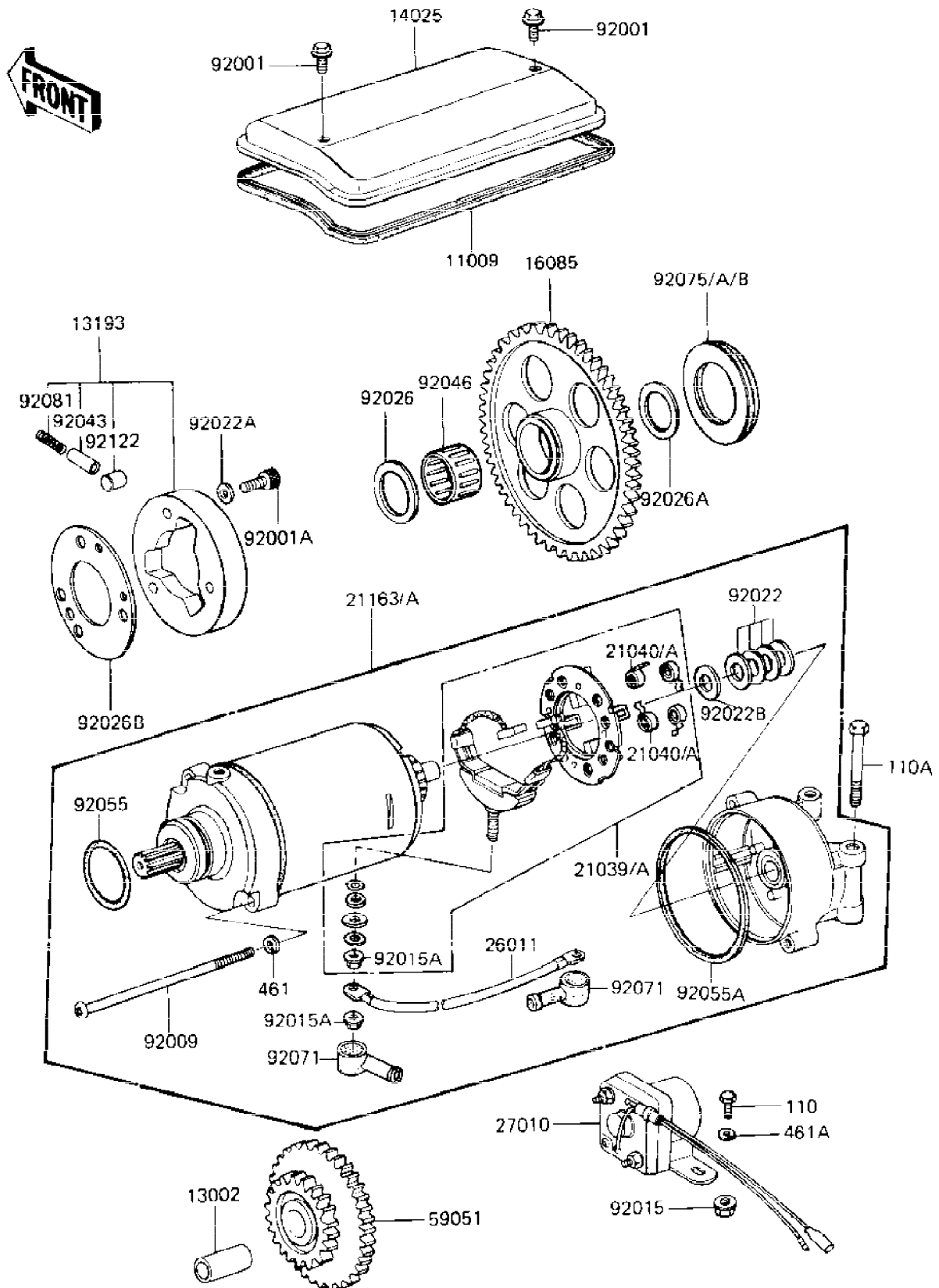
Ref #	Part Number	Qty	Description
11036	11036-1615	1	BRACKET-A,CHAIN CASE
36001	36001-1108-7F	1	COVER-SIDE,RH,L.GREEN
36001A	36001-1109-7F	1	COVER-SIDE,LH,L.GREEN
36001D	36001-5179-7F	1	COVER-SIDE,LH,L.GREEN
36001E	36001-5180-7F	1	COVER-SIDE,RH,L.GREEN
36014	36014-1062	1	CASE-CHAIN
92022	92022-1346	2	WASHER,6.5X20X1.6.BLA
92071	92071-056	6	GROMMET
110	112C0616	2	BOLT-UPSET,6X16
461	461K0600	2	WASHER-SPRING,6MM,BLA

F2190-0133



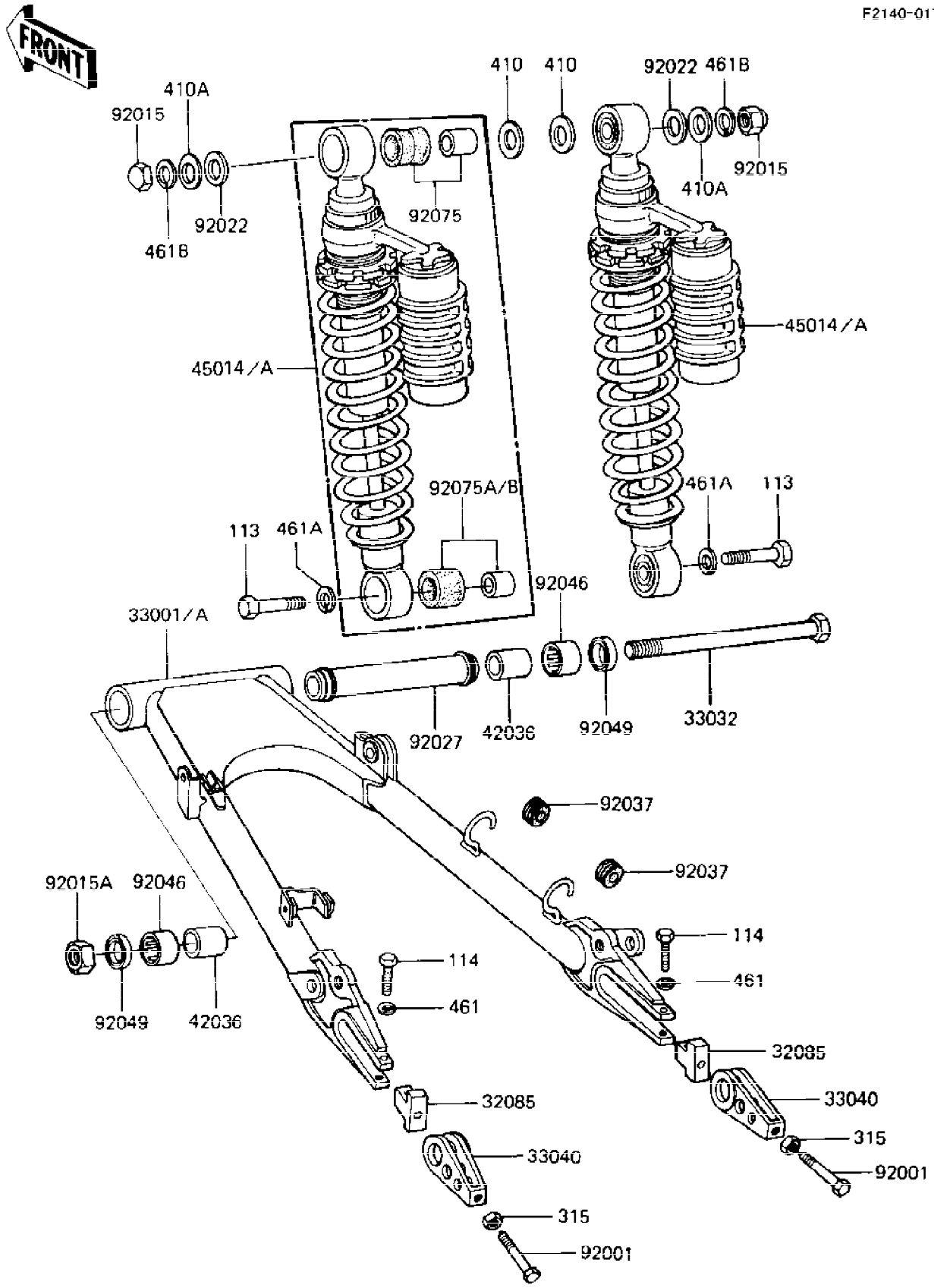
Ref #	Part Number	Qty	Description
34024	34024-1070	1	STAND-SIDE
92001	92001-1543	1	BOLT,8X160,BLACK
92015	92015-1188	1	NUT,LOCK,10MM,BLACK
92081	92081-1727	1	SPRING,SIDE STAND

E1840-0049



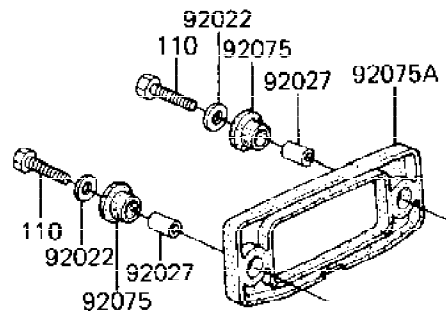
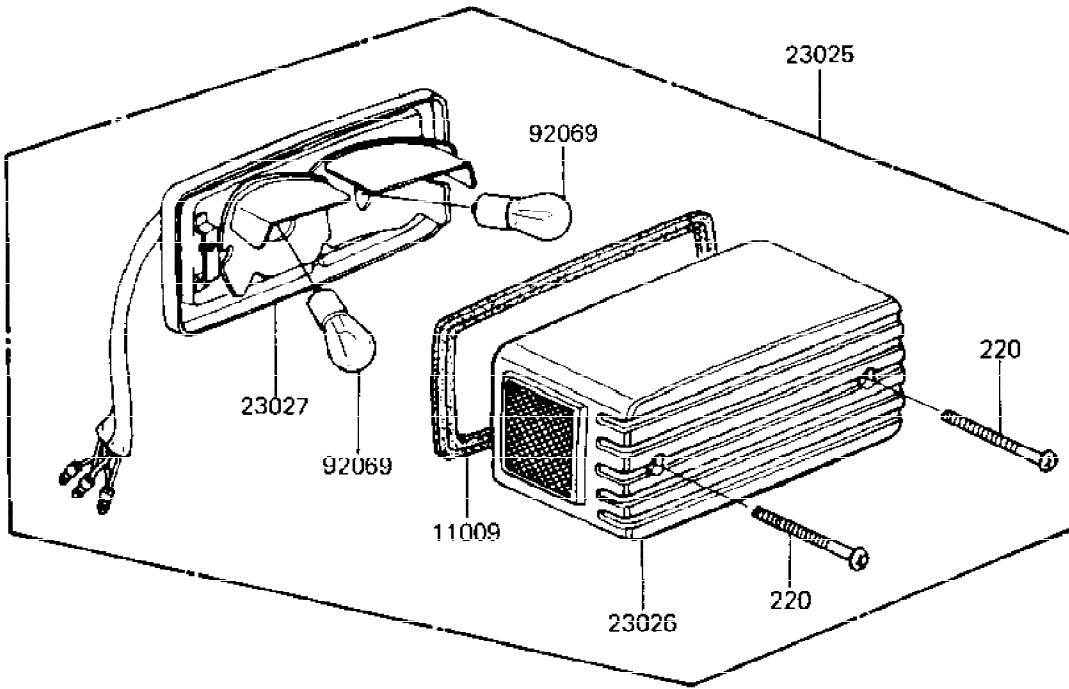
Ref #	Part Number	Qty	Description
11009	21166-001	1	GASKET,START MOTOR CV
13002	13002-007	1	PIN-PISTON
13193	13193-1006	1	CLUTCH ASSY,STARTING
14025	14025-1378	1	COVER,STARTER,BLACK
16085	16085-1012	1	GEAR,STARTING CLUTCH
21039	21039-1005	1	BRUSH SET,CARBON
21039A	21039-1053	1	BRUSH,CARBON
21040	21040-1002	4	SPRING,CARBON BRUSH
21040A	21040-1003	4	SPRING-BRUSH
21163	21163-1143	1	STARTER-ELECTRIC (SUBSTITUTES 21163-1033)
21163	21163-1143	1	STARTER-ELECTRIC (SUBSTITUTES 21163-1033)
21163A	21163-1143	1	STARTER-ELECTRIC (JKAKZCR1 DA001101) CN
26011	26011-1135	1	WIRE-LEAD,START MOTOR
27010	27010-1047	1	SWITCH,MAGNETIC
59051	21167-002	1	GEAR,STARTING MOTOR
92001	92001-1525	2	BOLT,6X10,BLACK
92001A	120P0816	3	BOLT
92009	21015-005	2	SCREW,PAN HEAD,6X110
92015	92015-1078	2	NUT-6MM
92015A	92015-1078	2	NUT-6MM
92022	21025-011	AR	WASHER,THRUST,0.2T
92022A	92022-1108	3	WASHER,PLAIN
92022B	92022-1132	1	WASHER,THRUST,0.8T
92026	92026-1031	1	SPACER
92026A	92026-1033	1	SPACER
92026B	92026-112	1	PLATE,CLUTCH STARTER
92043	92043-087	3	PIN
92046	92046-1022	1	BEARING,NEEDLE,K25302
92055	21027-004	1	"0" RING,STARTING MTR
92055A	92055-1086	2	"0" RING,STARTER MOTR
92071	21017-017	2	GROMMET,CORD
92075	92075-1129	1	DAMPER RUBBER,6.3T
92075A	92075-1130	1	DAMPER RUBBER,7.3T
92075B	92075-1131	1	DAMPER RUBBER,8.3T
92081	92081-110	3	SPRING
92122	92122-001	3	PIN
110	112G0612	2	BOLT-UPSET,6X12
110A	92001-1456	2	BOLT,EXCLUSIVE
461	461F0500	1	WASHER SPRING 5MM
461A	461F0600	2	WASHER SPRING 6MM

F2140-0172



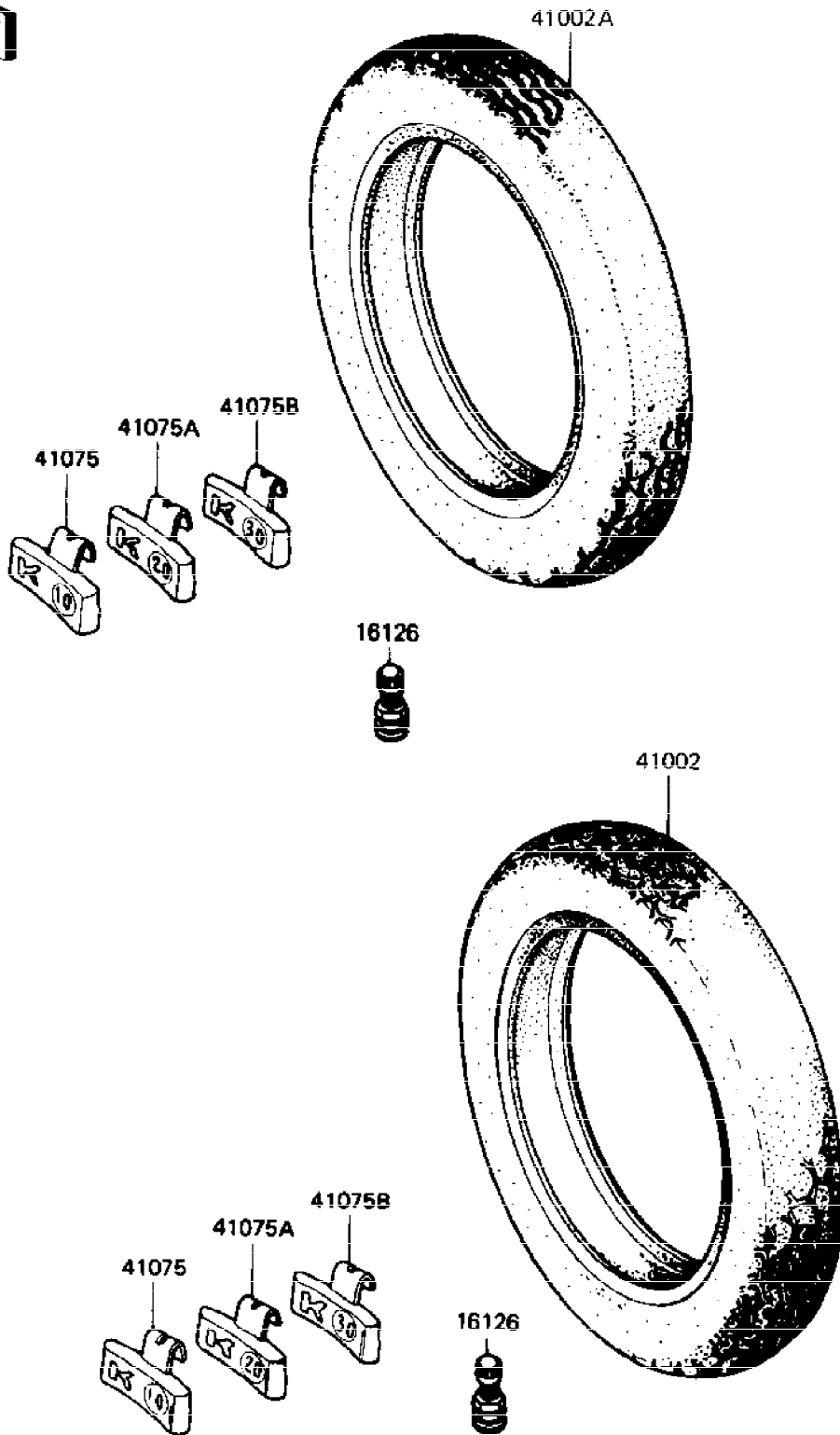
Ref #	Part Number	Qty	Description
32085	33044-001	2	STOPPER,CHAIN ADJUST
33001	33001-1071	1	ARM-COMP-SWING
33001A	33001-1217	1	ARM-COMP-SWING,BLACK
33032	33032-1027	1	SHAFT-SWING ARM,BLACK
33040	33040-1023	2	ADJUSTER-CHAIN,BLACK
42036	42036-1040	2	SLEEVE,SWING ARM
45014	45014-1186	2	SHOCK ABSBR RR
45014A	45014-1240	2	SHOCKABSORBER,RR,LH
92001	92001-1722	2	BOLT,10X50,BLACK
92015	92015-1192	2	NUT,LOCK,CAP,12MM,BLA
92015A	92015-1207	1	NUT,LOCK,16MM,BLACK
92022	92022-1303	2	WASHER,12.4X28X2.3,BL
92027	92027-1561	1	COLLAR
92037	43064-007	2	DAMPER RUBBER
92046	92046-1035	2	BEARING-NEEDLE
92049	92049-1060	2	SEAL-OIL
92075	92075-1387	2	DAMPER,SHOCKABSORBER
92075A	92075-1408	2	DAMPER,SHOCKABSORBER
92075B	92075-1499	2	DAMPER,SHOCKABSORBER
1113	112C1035	2	BOLT-SMALL-FINE,10X35
1114	115G0840	2	BOLT,8X40
315	315C1000	2	NUT-HEX-FINE
410	410B1400	2	WASHER PLAIN 14MM
410A	410F1200	2	WASHER-PLANE-SMALL
461	461F0800	2	WASHER SPRING 8MM
461A	461K1000	2	WASHER-SPRING,10MM
461B	461K1200	2	WASHER-SPRING,12MM,BL

F2720-0037



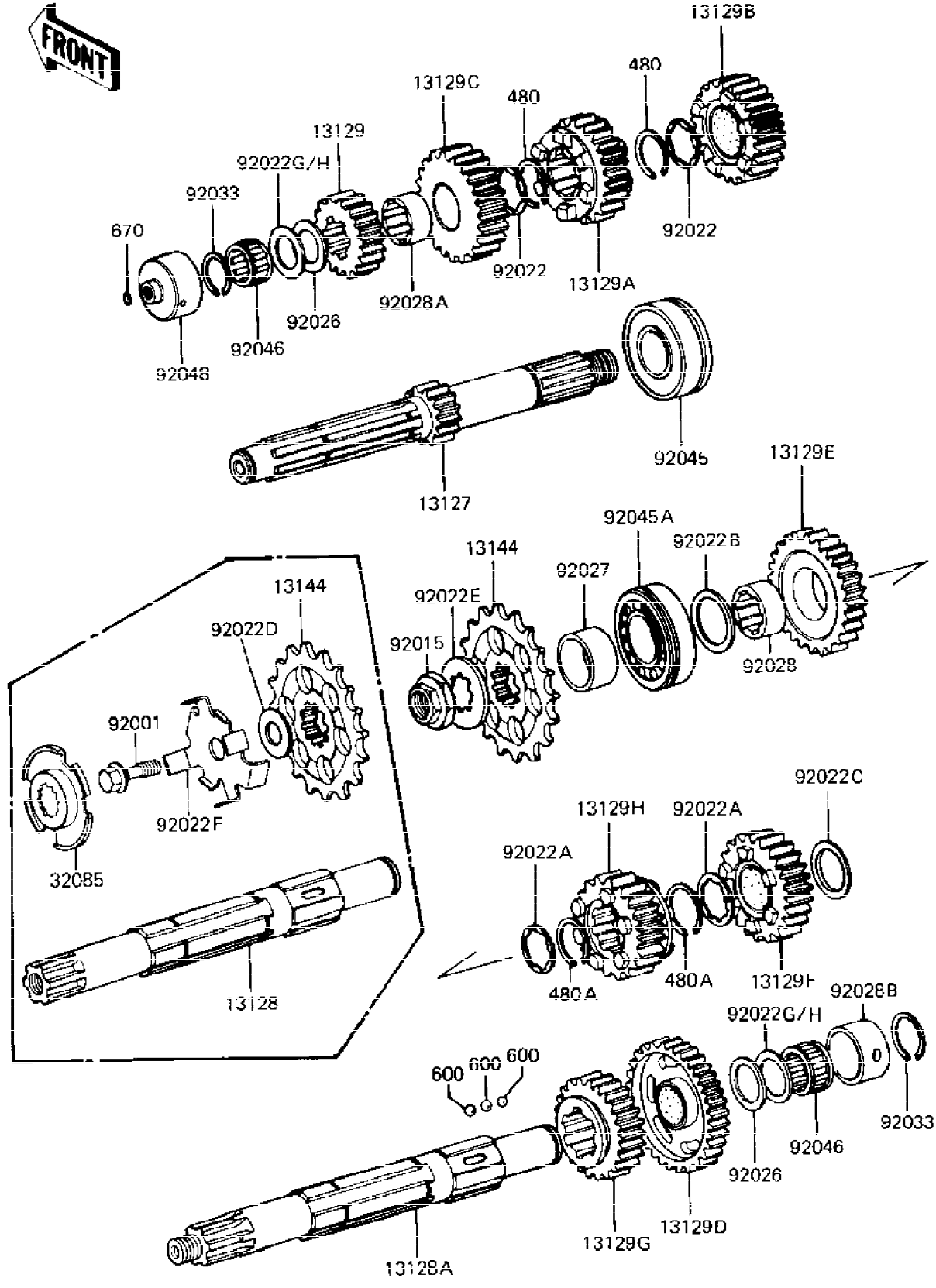
Ref #	Part Number	Qty	Description
11009	11009-1221	1	GASKET, TAIL LAMP
23025	23025-1025	1	LAMP-TAIL
23026	23026-1021	1	LENS, TAIL LAMP
23027	23027-1013	1	BODY-COMP-TAIL LAMP
92022	92022-125	2	WASHER 6.5X20X1.6T
92027	92027-1316	2	COLLAR, 6.8X10X17.6
92069	92069-059	2	BULB, 12V 32/3CP
92075	92075-1092	2	DAMPER RUBBER
92075A	92075-1282	1	DAMPER
110	112G0625	2	BOLT-UPSET
220	220C0465	2	SCREW-PAN-CROS

F2210-0076



Ref #	Part Number	Qty	Description
16126	16126-1136	2	VALVE
41002	41002-1251	1	TIRE 120/90V-18K300 R
41002A	41002-1311	1	TIRE 110/90V19 K300 F
41075	41075-1011	AR	BALANCER-WHEEL,10G
41075A	41075-1012	AR	BALANCER-WHEEL,20G
41075B	41075-1013	AR	BALANCER-WHEEL,30G

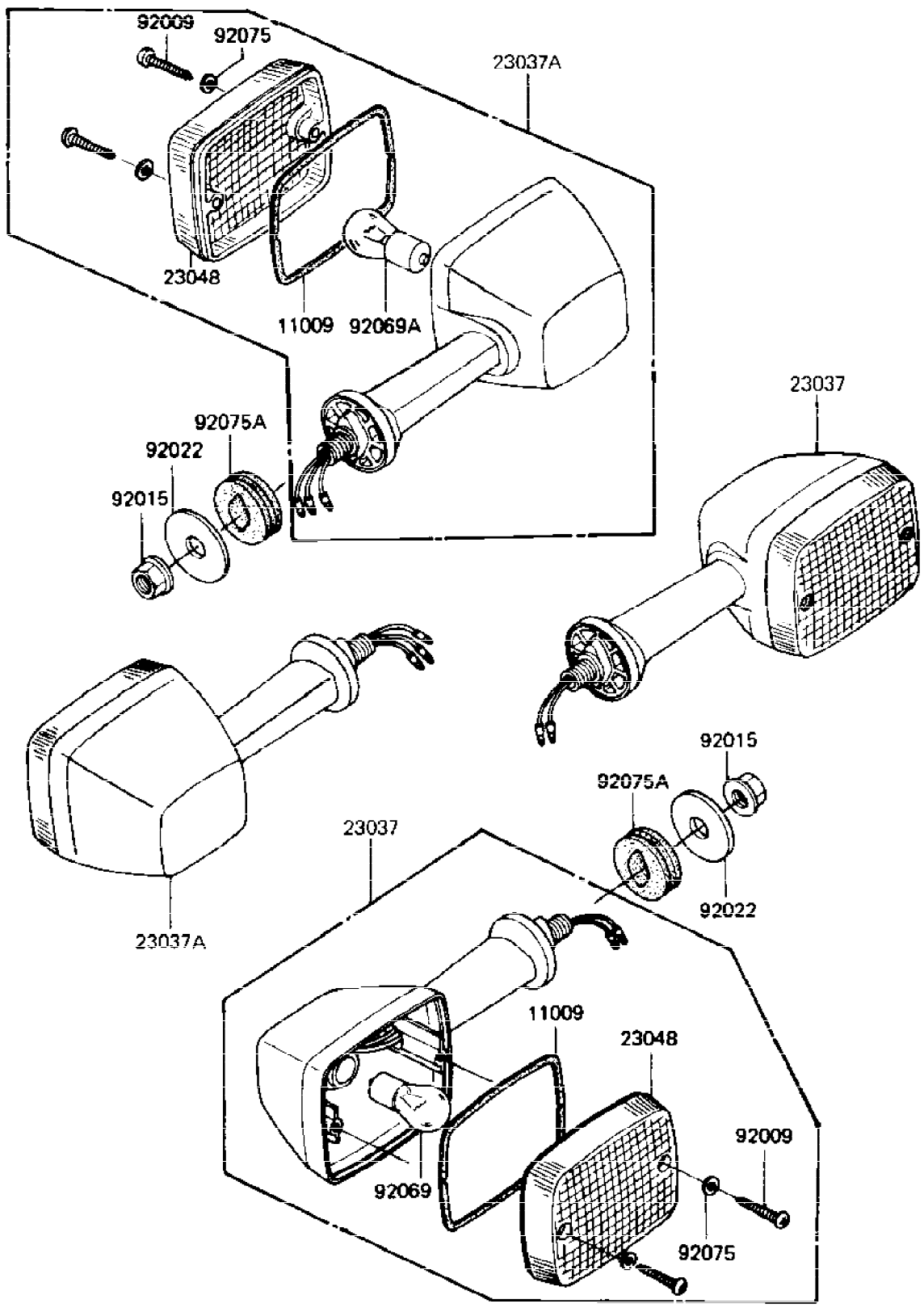
E1361-0101



Ref #	Part Number	Qty	Description
13127	13127-1034	1	SHAFT-TRANSMISSION IN
13128	13128-1030	1	SHAFT-TRANSMISSION OU
13128A	13128-1048	1	SHAFT-TRANSMISSION OU
13129	13129-1035	1	UNAVAILABLE IN PRICE BOOK
13129A	13129-1236	1	INPUT 3RD,21T
13129B	13129-1237	1	INPUT 4TH,23T
13129C	13129-1238	1	INPUT TOP,25T
13129D	13129-1239	1	OUTPUT LOW,37T
13129E	13129-1240	1	OUTPUT 2ND,33T
13129F	13129-1241	1	OUTPUT 3RD,30T
13129G	13129-1242	1	OUTPUT 4TH,27T
13129H	13129-1243	1	OUTPUT TOP,26T
13144	13144-1042	1	SPROCKET-OUTPUT,15T
32085	32085-1101	1	STOPPER,ENGN SPROCKET
92001	92001-1479	1	BOLT,FLANGED,10X39
92015	92015-1210	1	NUT,20MM
92022	92022-1077	2	WASHER,LOCK (O.D=35)
92022A	92022-1218	2	WASHER,LOCK,30X42X1.4
92022B	92022-1219	1	WASHER,28.3X42X2.9
92022C	92022-1220	1	WASHER,32.3X42X3
92022D	92022-1274	1	WASHER,12.3X38X2.3
92022E	92200-1060	1	WASHER
92022F	92022-1351	1	WASHER,SPRCKT STOPPER
92022G	92022-212	2	WASHER,PLAIN,22MM
92022H	92022-213	AR	WASHER,PLAIN,22MM
92026	92026-1020	2	SPACER (I.D=22 O.D=35)
92027	92027-1339	1	COLLAR
92028	92028-1112	1	BUSHING,2ND GEAR
92028A	92028-1124	1	BUSHING,TOP GEAR
92028B	92028-123	1	BUSH,OUTPUT SHAFT
92033	92033-025	2	CIRCLIP,25MM
92045	92045-1028	1	BEARING,BALL,5305NSH2
92045A	92045-1034	1	BEARING-BALL,63/28NC3
92046	92046-031	2	BEARING,PK223013.8
92048	92048-1012	1	RACE,DRIVE SHAFT BRNG
480	480J2800	2	CIRCLIP 28MM
480A	480J3200	2	CIRCRIP-TYPE-C
600	600A0600	3	BALL STEEL 3/16'
670	670B1508	1	"O" RING,8MM

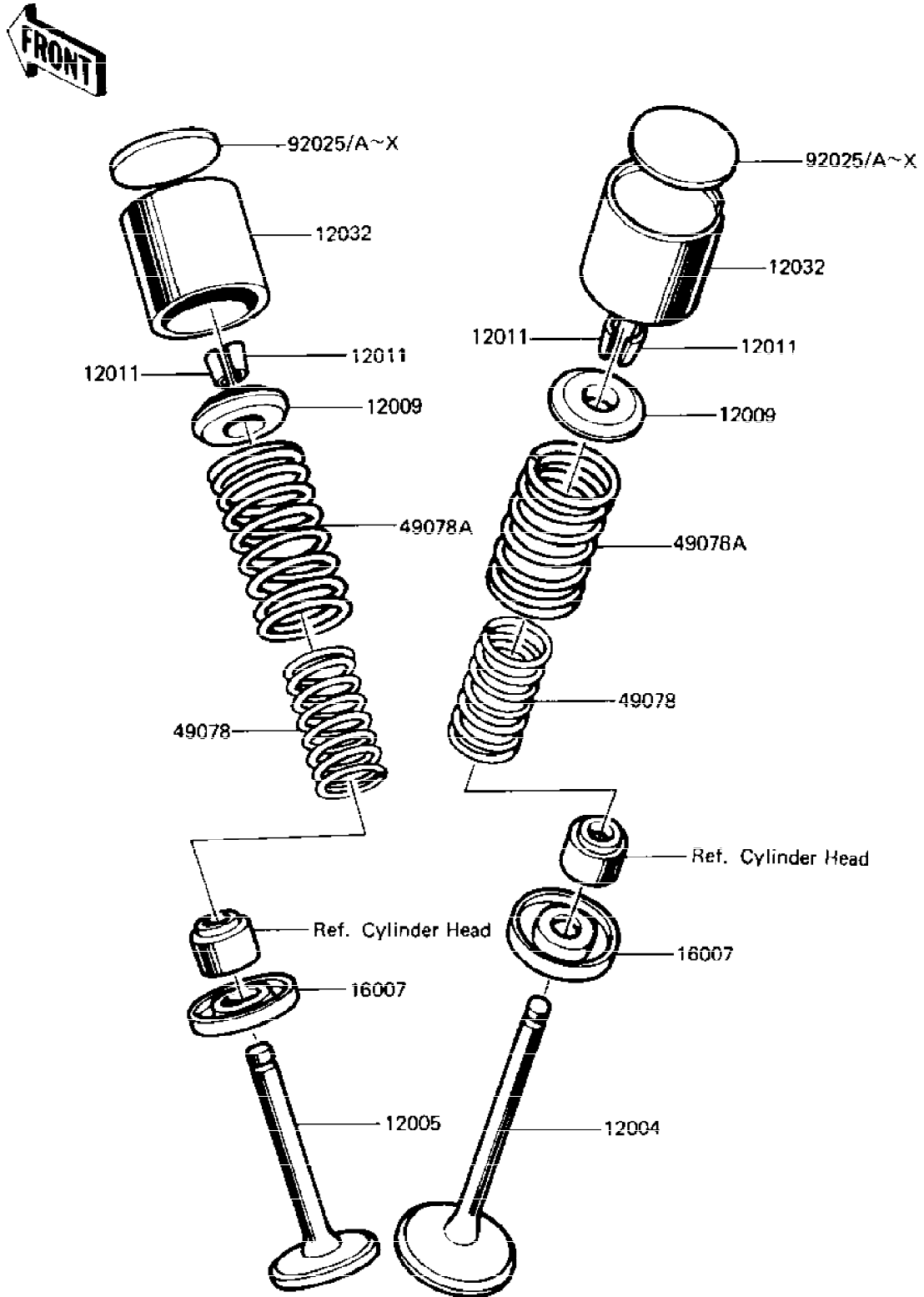
FRONT

F2730-0120



Ref #	Part Number	Qty	Description
11009	11009-1150	4	GASKET,SIGNAL LAMP
23037	23037-1104	2	LAMP-ASSY-SIGNAL
23037A	23037-1131	2	LAMP-ASSY-SIGNAL,FR
23048	23048-1019	4	LENS-SIGNAL LAMP
92009	92009-1069	8	SCREW,TAPPING,4X25
92015	92015-1428	4	NUT,FLANGED,10MM
92022	92022-1246	4	WASHER,10.5X37X1.6
92069	92069-055	2	BULB 12V 32CP
92069A	92069-060	2	BULB,12V 23/8W
92075	23058-002	8	WASHER-PLAIN,4MM
92075A	92075-1391	4	DAMPER,SIGNAL LAMP

E1210-0005



Ref #	Part Number	Qty	Description
12004	12004-1013	4	VALVE INTAKE
12005	12005-1011	4	VALVE EXHAUST
12009	12009-005	8	RETAINER,VALVE SPRING
12011	12011-004	16	SPLIT KEEPER
12032	12032-1002	8	TAPPET
16007	16007-1024	8	SEAT-SPRING,VALVE
49078	49078-1001	8	SPRING,VALVE,INNER
49078A	49078-1002	8	SPRING,VALVE,OUTER
92025	12037-001	AR	SHIM,TAPPET,2.00T
92025A	12037-002	AR	SHIM,TAPPET,2.05T
92025B	12037-003	AR	SHIM,TAPPET,2.10T
92025C	12037-004	AR	SHIM,TAPPET,2.15T
92025D	12037-005	AR	SHIM,TAPPET,2.20T
92025E	12037-006	AR	SHIM,TAPPET,2.25T
92025F	12037-007	AR	SHIM,TAPPET,2.30T
92025G	12037-008	AR	SHIM,TAPPET,2.35T
92025H	12037-009	AR	SHIM,TAPPET,2.40T
92025I	12037-010	AR	SHIM,TAPPET,2.45T
92025J	12037-011	AR	SHIM,TAPPET,2.50T
92025K	12037-012	AR	SHIM,TAPPET,2.55T
92025L	12037-013	AR	SHIM,TAPPET,2.60T
92025M	12037-014	AR	SHIM,TAPPET,2.65T
92025N	12037-015	AR	SHIM,TAPPET,2.70T
92025O	12037-016	AR	SHIM,TAPPET,2.75T
92025P	12037-017	AR	SHIM,TAPPET,2.80T
92025Q	12037-018	AR	SHIM,TAPPET,2.85T
92025R	12037-019	AR	SHIM,TAPPET,2.90T
92025S	12037-020	AR	SHIM,TAPPET,2.95T
92025T	12037-021	AR	SHIM,TAPPET,3.00T
92025U	12037-022	AR	SHIM,TAPPET,3.05T
92025V	12037-023	AR	SHIM,TAPPET,3.10T
92025W	12037-024	AR	SHIM,TAPPET,3.15T
92025X	12037-025	AR	SHIM,TAPPET 3.20T